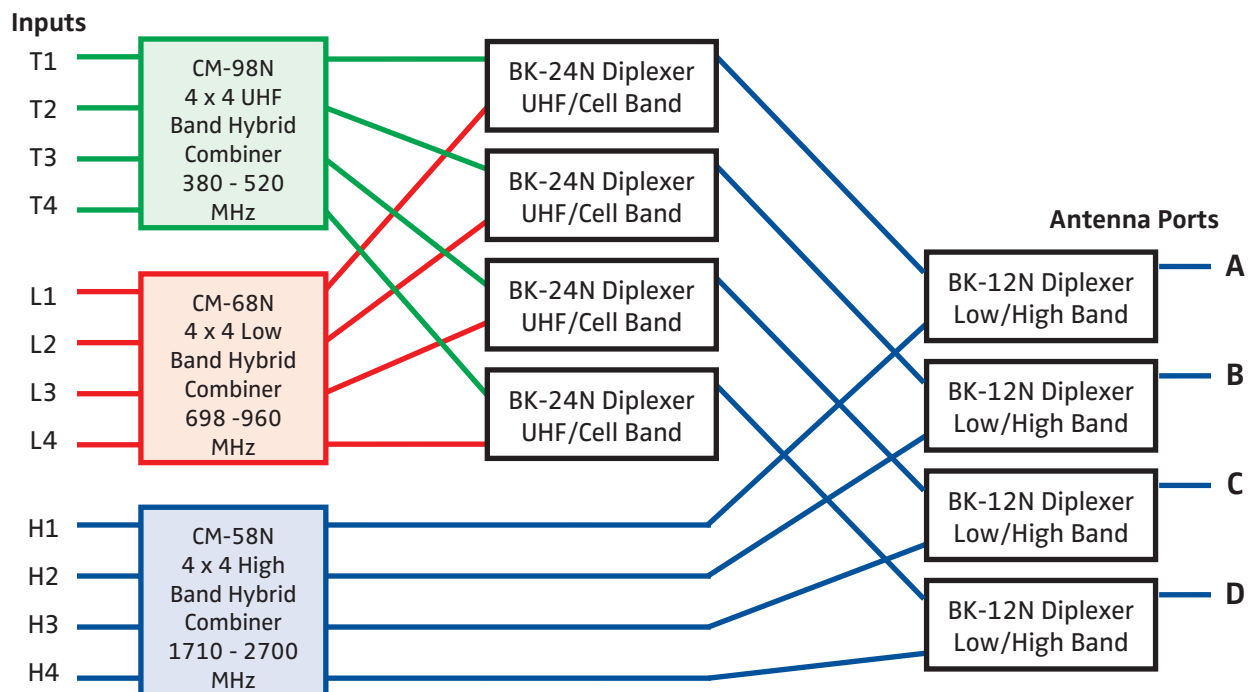


DCC Series® - Preliminary Data

- ◆ Input bands for PMR/Tetra, Cellular, WiFi, WiMAX & LTE: 380 to 2700 MHz
- ◆ 12 Inputs to 4 Combined Outputs
- ◆ Guaranteed PIM, and Low Loss
- ◆ High Reliability, RoHS
- ◆ Standard 4RU EIA Rack (7")

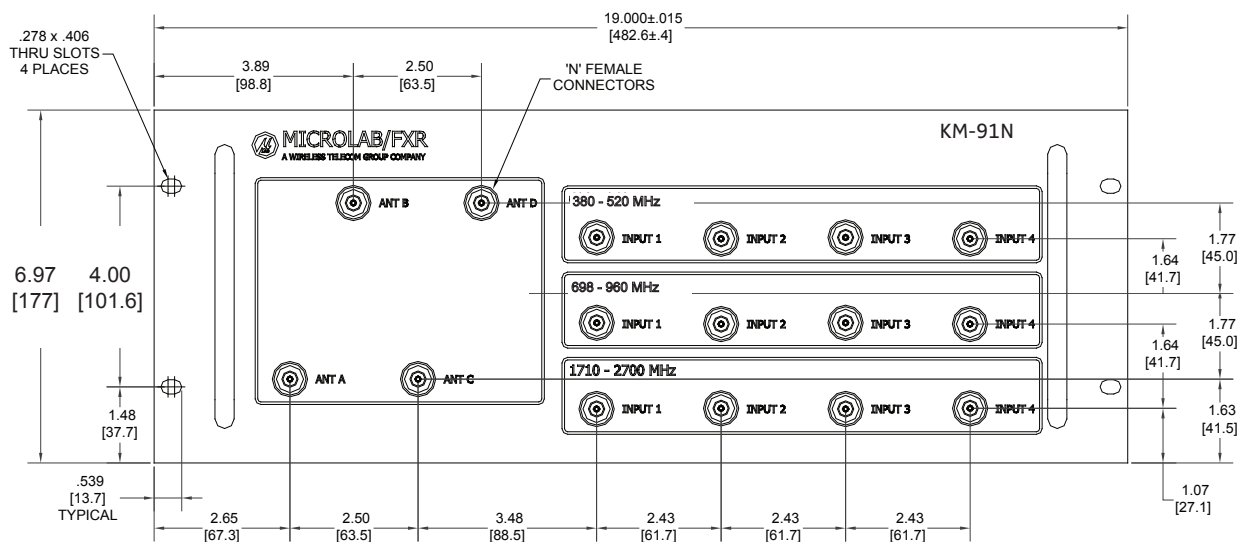


These broadband RF Combiner Boxes have been designed to meet the neutral host needs of in-building systems, with low passive intermodulation (PIM). The system combines up to 12 wireless carriers in three operating bands to 4 multiple antenna feeds or distribution cables. Through the use of three 4 x 4 hybrid networks and 8 diplexers, the total loss for each path is less than 1.5 dB, provided all four outputs are utilized. Typical isolation between inputs in the same band is 25 dB, between bands 58 dB. Input/output connectors have been separately grouped for convenience. (08/12)



KM-91D:	7-16 (f) in; N (f) out to DAS
KM-91N:	N (f) in; N (f) out to DAS
Inputs T1 to T4:	380 - 520 MHz, Tetra Band
Inputs L1 to L4:	698 - 960 MHz, Low Band
Inputs H1 to H4:	1710 - 2700 MHz, High Band
Input Isolation:	Within Band: >22 dB Between Bands: >55 dB
Input Return Loss:	>16 dB (>18 dB typical)
Outputs A, B, C, D:	380 - 2700 MHz
Coupling (In-Out):	6.5 ± 1.0 dB (all paths)
Power per input:	
Tetra Band:	<50W avg., 3 kW peak
Low Band:	<50W avg., 3 kW peak
High Band:	<50W avg., 3 kW peak
Total power in:	<200W average
Impedance:	50Ω nominal
Environment:	-15°C to +65°C, Indoor
PIM (Intermod):	<-142 dBc (+43dBm x2)
Finish: Housing:	RoHS coated aluminum
Connectors:	Triplate, N
Weight:	33 lbs (15 kg) nominal
<i>Specification subject to modification</i>	

Front Panel Layout



Notes: Depth 17" (432 mm).