

\$ Saver Product Line

- ◆ Combines LTE-2600, UMTS-2100, GSM-1800 to 790-960 MHz services
- ◆ 50 dB Input Isolation
- ◆ High Power Design
- ◆ Minimal RF Insertion Loss
- ◆ Rugged, High Reliability
- ◆ Low Passive IM., PIM
- ◆ Low Cost, RoHS compliant Design
- ◆ N or 7-16 mm connectors

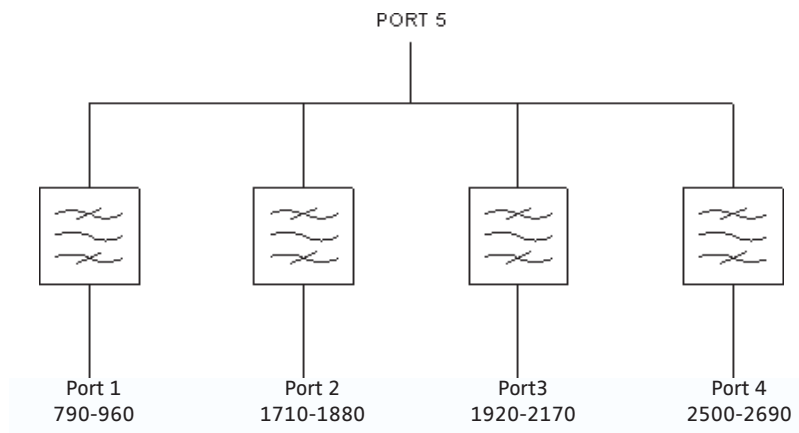


	Model/Connector	
	N (f)	7-16 (f)
GSM/UMTS/LTE Quadraplexer	BK-94N	BK-94D*
		*Future Product

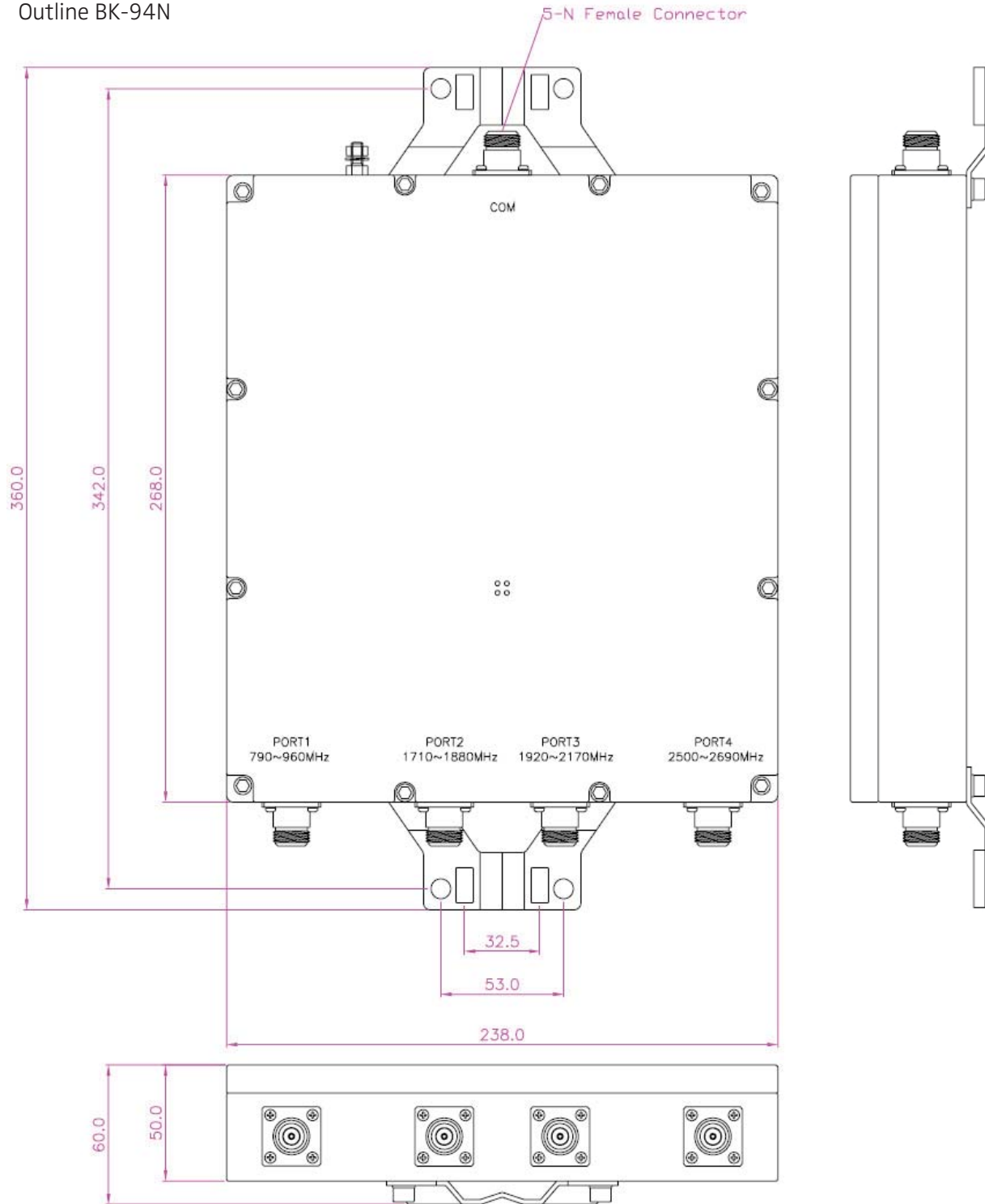
The BK-94 Quadraplexer has been designed using passive, proprietary techniques to ensure minimal loss and very high reliability. It allows efficient combining or division of the standard cellular bands for use in a coaxial distributed in-building cellular network or DAS.

If DC pass through is required, as might be required in a base station application, then model BK-92 should be used. The BK-92 also expands coverage down to 380 MHz into input one, as might be required for applications that include Tetra services. (05/13)

Frequency Bands:	
Input 1:	850/900 Bands: 790 - 960 MHz
Input 2:	GSM/LTE-1800: 1710 - 1880 MHz
Input 3:	UMTS-2100: 1920 - 2170 MHz
Input 4:	LTE-2600: 2500 - 2690 MHz
Input Return Loss:	>18 dB, all inputs
Interband Isolation:	>50 dB
Insertion Loss:	<0.3 dB all paths
Power:	50W/input max.
Impedance:	50Ω nominal
Intermod. (PIM):	<-150 dBc (IM ₃ with 2 x +43dBm)
Environment:	-40° - +60°C, IP66
Housing:	Grey Color Epoxy Coating
Mounting:	Bracket included, see outline
Weight, nom:	9.4 lbs (4.3 kg)



Outline BK-94N



Outline BK-94D - To be updated

