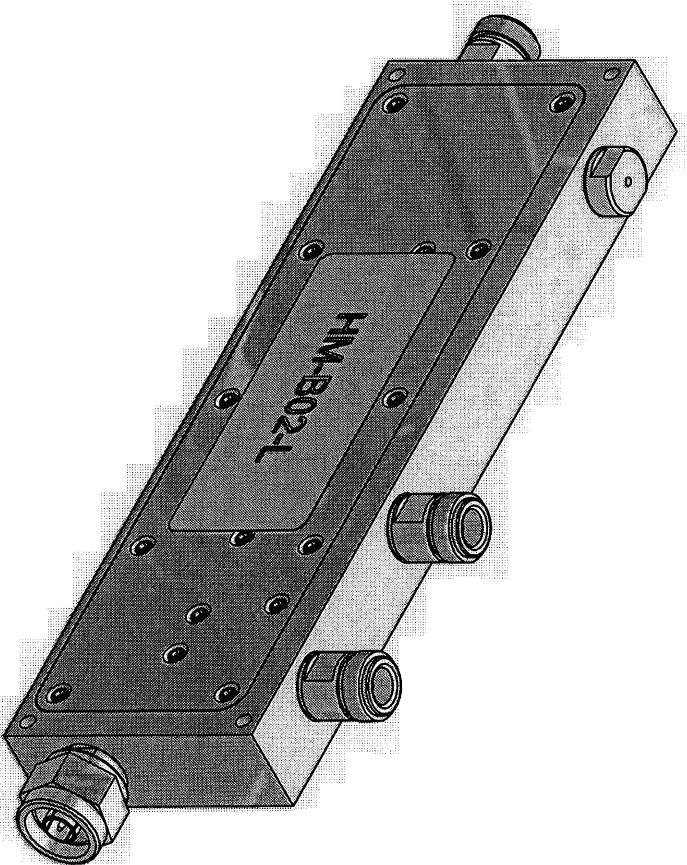
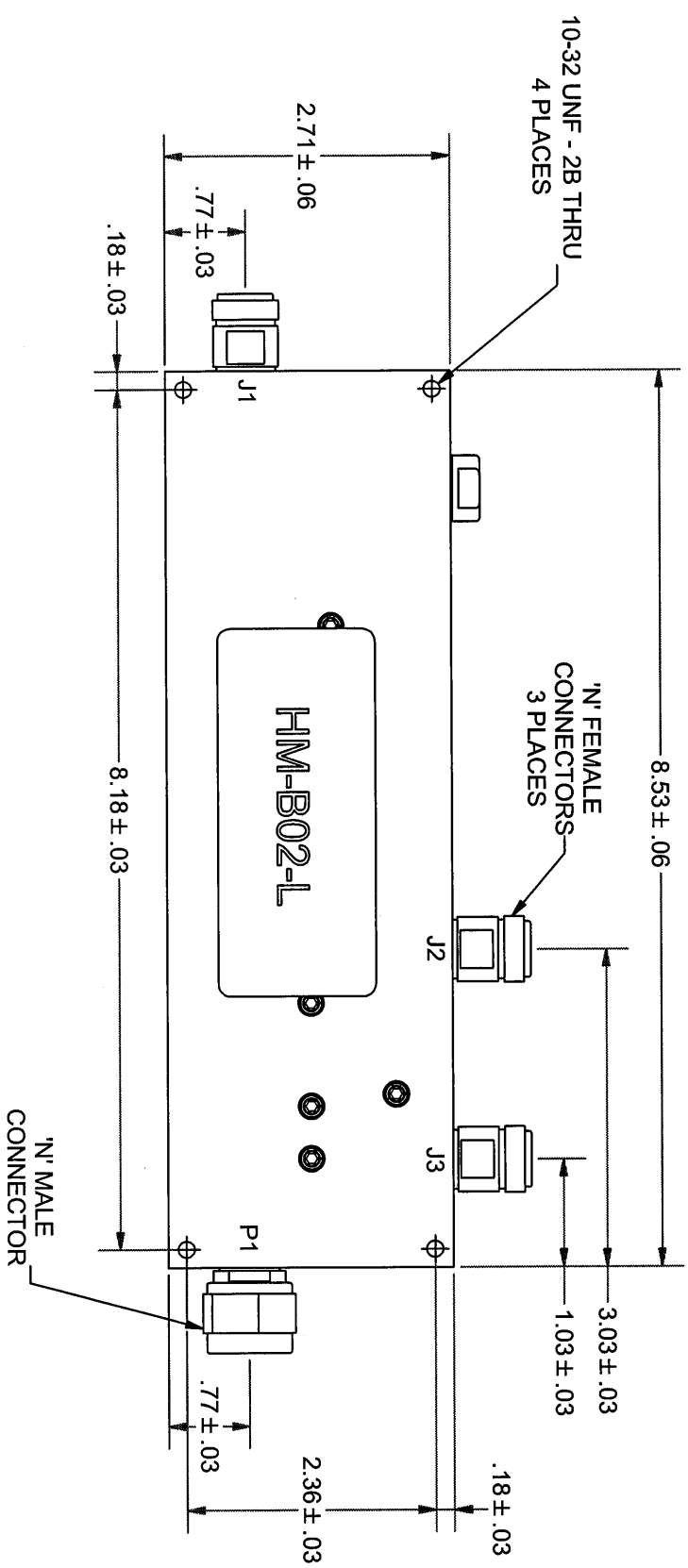
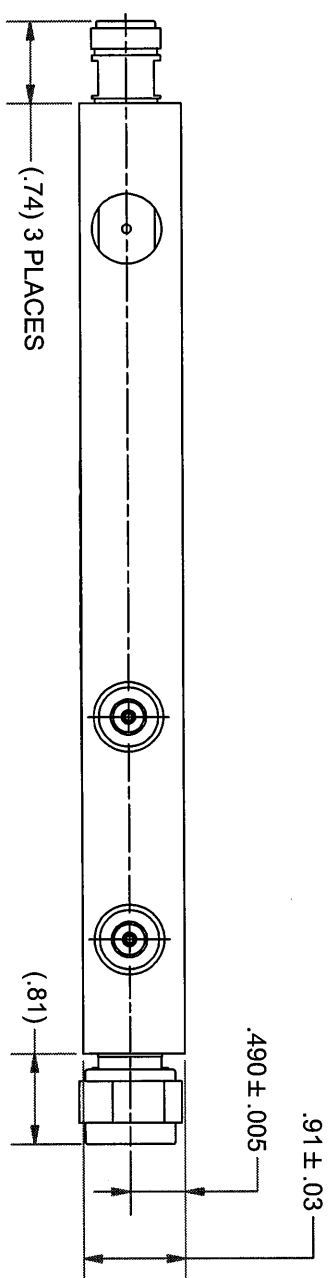


THE INFORMATION HEREIN IS THE PROPERTY OF MICROLAB/FXR AND SHALL NOT BE REPRODUCED, COPIED, OR USED AS A BASIS FOR THE MANUFACTURE OR SALE OF APPARATUS WITHOUT PERMISSION.

REVISION HISTORY			
REV	DESCRIPTION	DATE	APPROVED
A	RELEASE TO PRODUCTION	8/22/2007	BPATTERSON



PORT #	DESCRIPTION
J1	ISOLATED PORT
J2	SAMPLER IN/OUT
J3	SAMPLER IN/OUT
P1	COUPLED PORT

ELECTRICALLY TEST PER MICROLAB ATP 200107.

UNLESS OTHERWISE SPECIFIED DIMENSIONS ARE IN INCHES AND AFTER PLATING.	
TOLERANCES ARE ON: DECIMALS .XX ± .01 .XXX ± .005 SURFACE FINISH 63	
DRAWN	BPATTERSON
CHECKED	<i>Q.A.</i>
EE	<i>Q.W.</i>
MFG	<i>DL</i>
QA	<i>[Signature]</i>
DATE	8/9/2006

MATERIAL

MICROLAB/FXR  
www.microlab.fxr.com

DIRECTIONAL SAMPLER

SIZE B DWG NO HM-B02

SCALE CPN SHEET 1 OF 1