

Product Line Discontinued, but may be available to special order

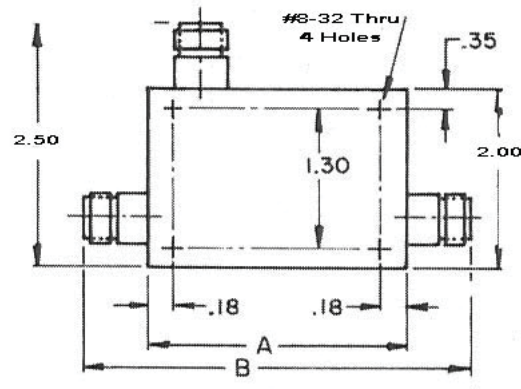
- ◆ High Isolation
- ◆ Low VSWR
- ◆ Octave bands to 4 GHz
- ◆ 100W average Power Rating
- ◆ N Connectors



The Microlab CB series 6, 10, 20, and 30 dB directional couplers are low priced, ruggedly constructed components using air dielectric, ideally suited for system use. Their flat coupling, high directivity, and low VSWR over a full octave also make the CB coupler an excellent lab device. Catalog units cover octave bands from 200 to 4,000 MHz, and wireless bands from 380 MHz to 2700 MHz.

Microlab also offers units with custom octave bandwidths, alternate connectors or higher powers to special order. CB series couplers are provided with threaded holes for reliable mounting. (01/13)

| | |
|-----------------------|--|
| Frequency Range: | 200 to 4,000 MHz |
| Standard Coupling: | 6, 10, 20 and 30 dB |
| Coupling Accuracy: | ±1.0 dB |
| VSWR: | 1.25:1 max. |
| Impedance: | 50Ω nominal |
| Temperature Range: | -55°C to +125°C |
| Connectors, N female: | triplate or silver per QQ-S-365 |
| Housing: | Passivated aluminum Paint finish optional |



| Frequency Range MHz | Directivity dB min. | Dissipative Loss dB max. | Model Number* | | | | Dimensions inches (mm) | | | | Weight oz. (g) |
|------------------------|---------------------------|--------------------------------|---|--------|--------|--------|------------------------|----------------|---------------|----------------|----------------------|
| | | | 6 dB | 10 dB | 20 dB | 30 dB | 6 & 10 dB | | 20 & 30 dB | | |
| | | | *Replace 'N' with 'LN' for 4 port model | | | | A | B | A | B | |
| 200 - 400 | 20 | 0.2 | - | CB-17N | CB-18N | CB-19N | 9.11 (231) | 10.11 (257) | 9.20 (234) | 10.20 (259) | 22.0 (624) |
| 400 - 800 | 25 | 0.2 | CB-26N | CB-27N | CB-28N | CB-29N | 6.94 (176) | 7.94 (202) | 7.05 (179) | 8.05 (204) | 14.0 (397) |
| 750 - 1500 | 25 | 0.2 | CB-36N | CB-37N | CB-38N | CB-39N | 4.60 (117) | 5.60 (142) | 4.75 (121) | 5.75 (146) | 10.2 (289) |
| 1000-2000 | 25 | 0.2 | CB-46N | CB-47N | CB-48N | CB-49N | 3.95 (100) | 4.95 (126) | 4.10 (104) | 5.10 (130) | 9.1 (258) |
| 1500-3000 | 23 | 0.2 | CB-56N | CB-57N | CB-58N | CB-59N | 3.29 (84) | 4.29 (109) | 3.43 (87) | 4.43 (113) | 8.0 (227) |
| 2000-4000 | 23 | 0.2 | CB-66N | CB-67N | CB-68N | CB-69N | 2.97 (75) | 3.97 (101) | 3.12 (79) | 4.12 (105) | 7.3 (207) |