

- ◆ Combines or Splits Tx and Rx Signals for US AWS Systems
- ◆ Guaranteed Low PIM
- ◆ High Isolation
- ◆ Low Insertion Loss
- ◆ Up to 60W power
- ◆ Models for Outdoor, IP67
- ◆ RoHS Compliant, High Reliability



AWS Duplexer BL-51N

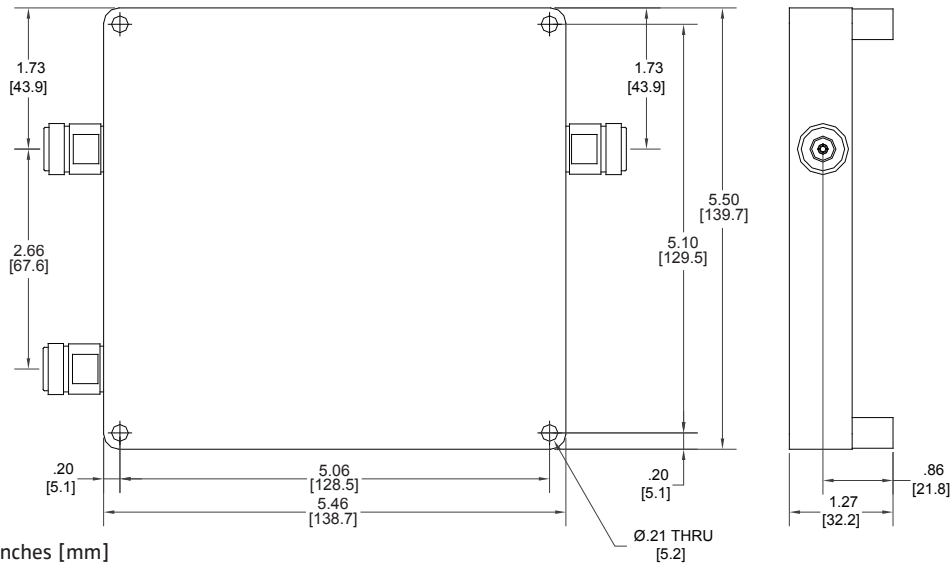


	Model/Connector		
	N (f)	7-16 (f)	4.3-10 (f)
AWS Duplexer Filter	BL-51N	BL-51D	BL-51E
Add 'P' to part # for Outdoor model, eg. BL-51NP			

Microlab Duplexer, BL-51 series allows combination and separation of the Tx and Rx signals in the AWS-1 and AWS-3 bands used in North America.

Units use a suspended substrate design to provide high isolation, low PIM and low insertion loss. Attention to mechanical design, ensures low loss, and high reliability.

Tx Passband:	2110-2180 MHz (Tx Port)
Rx Passband:	1695-1780 MHz (Rx Port)
Insertion Loss:	1.0 dB max, 0.5 dB typ.
Passband Ripple:	0.4 dB max, 0.2 dB typ.
Input Isolation:	>50dB (between Tx/Rx bands)
Return Loss, all ports:	18 dB min, 20 dB typ.
DC Continuity:	Between All Ports
PIM (Intermod):	-161 dBc (measured in Rx Block using two +43 dBm tones in Tx Block)
Power Rating:	60W avg./input
Impedance:	50Ω nominal
Environment:	-30°C to +80°C, IP67
Finish: Connectors:	Triplated
Housing Finish:	RoHS passivated aluminum
Weight, nom:	1.7 lb., 0.8 kg



Note: Specifications are subject to change without prior notification.

22APR2016