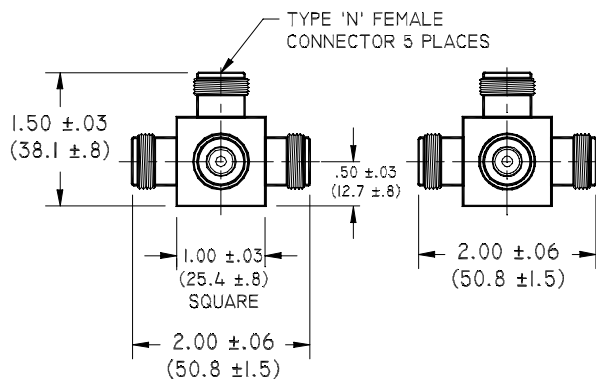
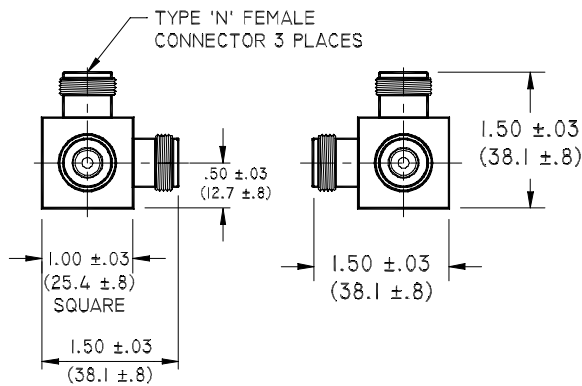


- ◆ Designed for Minimum Reflections
- ◆ 500 Watt Average Power Rating
- ◆ Minimal RF Insertion Loss
- ◆ Low Cost Design
- ◆ High Reliability
- ◆ RoHS compliant
- ◆ N-female Connectors Standard



Microlab Model J series, in 3, 4 and 5 arm versions, are designed for use in circuits where impedance match and isolation are relatively unimportant and a single point junction is desirable. In practice, these are essentially connectors with a common ground and all center conductors joined together with the minimum discontinuities. Often these may be the inexpensive option for signal division or combination.

The J series is available in a variety of N type male and female connector combinations. (11/09)



Connectors	3 arms	4 arms	5 arms
All female	J3-1FN	J4-1FN	J5-1FN
1 male, rest female	J3-1TN	J4-1TN	J5-1TN

Common Specifications Model J series

Connectors:	N type standard
Frequency:	100 to 2,700 MHz
Power Rating:	500 W avg., 3 kW peak
Temperature:	-35 C to +75 C
Connector Finish:	Silver or triplate

