

**Product Line Discontinued, but
may be available to special order**

- ◆ High Isolation
- ◆ Low VSWR
- ◆ Octave bands to 4 GHz
- ◆ 100W average Power Rating
- ◆ N Connectors

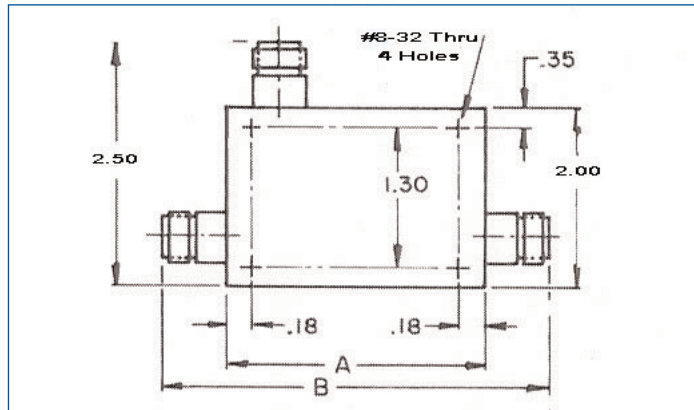


Pictured with optional paint finish.

The Microlab CB series 6, 10, 20, and 30 dB directional couplers are low priced, ruggedly constructed components using air dielectric, ideally suited for system use. Their flat coupling, high directivity, and low VSWR over a full octave also make the CB coupler an excellent lab device. Catalog units cover octave bands from 200 to 4,000 MHz, and wireless bands from 380 MHz to 2700 MHz.

Microlab also offers units with custom octave bandwidths, alternate connectors or higher powers to special order. CB series couplers are provided with threaded holes for reliable mounting. (03/10)

Frequency Range:	200 to 4,000 MHz
Standard Coupling:	6, 10, 20 and 30 dB
Coupling Accuracy:	±1.0 dB
VSWR:	1.25:1 max.
Impedance:	50Ω nominal
Temperature Range:	-55°C to +125°C
Connectors, N female:	triplate or silver per QQ-S-365
Housing:	Passivated aluminum Paint finish optional



Frequency Range MHz	Directivity dB min.	Dissipative Loss dB max.	Model Number*				Dimensions inches (mm)				Weight oz. (g)
			6 dB *Replace 'N' with 'LN' for 4 port model	10 dB	20 dB	30 dB	6 & 10 dB		20 & 30 dB		
						A	B	A	B		
200 - 400	20	0.2	-	CB-17N	CB-18N	CB-19N	9.11 (231)	10.11 (257)	9.20 (234)	10.20 (259)	22.0 (624)
400 - 800	25	0.2	CB-26N	CB-27N	CB-28N	CB-29N	6.94 (176)	7.94 (202)	7.05 (179)	8.05 (204)	14.0 (397)
750 - 1500	25	0.2	CB-36N	CB-37N	CB-38N	CB-39N	4.60 (117)	5.60 (142)	4.75 (121)	5.75 (146)	10.2 (289)
1000-2000	25	0.2	CB-46N	CB-47N	CB-48N	CB-49N	3.95 (100)	4.95 (126)	4.10 (104)	5.10 (130)	9.1 (258)
1500-3000	23	0.2	CB-56N	CB-57N	CB-58N	CB-59N	3.29 (84)	4.29 (109)	3.43 (87)	4.43 (113)	8.0 (227)
2000-4000	23	0.2	CB-66N	CB-67N	CB-68N	CB-69N	2.97 (75)	3.97 (101)	3.12 (79)	4.12 (105)	7.3 (207)