

- ◆ Designed for DAS covering all wireless bands to 6 GHz
- ◆ 10W avg. Power as Divider
- ◆ Low RF Insertion Loss
- ◆ High Isolation
- ◆ RoHS compliant
- ◆ Rugged, Reliable Design
- ◆ Opposed N or SMA Connectors for easier installation



Model D4-49FF

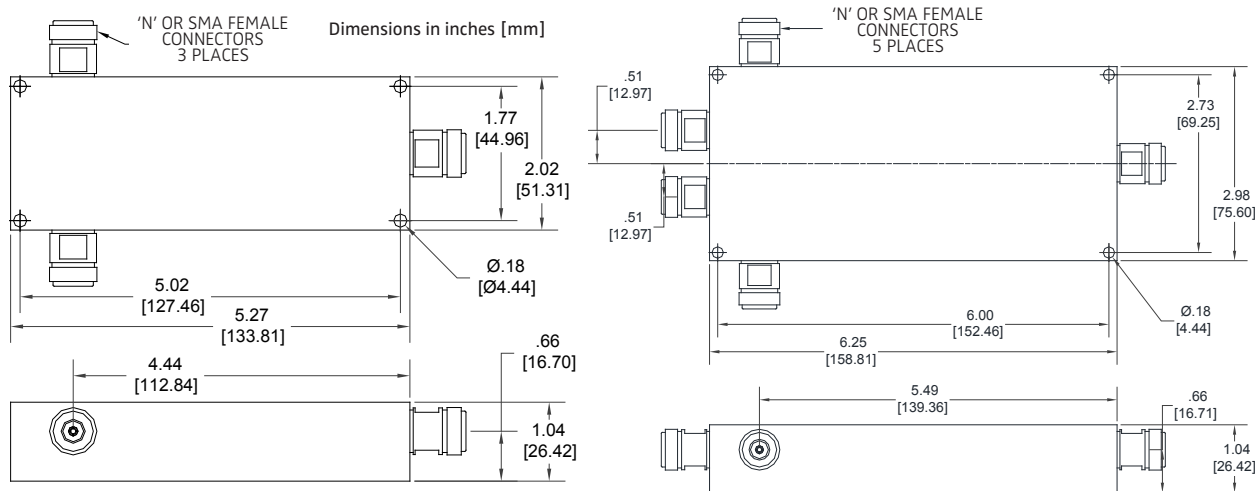
This Dx-49 series of 2 & 4 way Wilkinson style Power Dividers covers the ultra broad band of 350 - 5850 MHz using a multi-section microstrip design.

The broad bandwidth and output isolation of this product can eliminate the need for multiple cable paths in the design of distributed antenna systems.

Impedance: 50Ω nominal
 Power, as divider: 10W avg., (Load VSWR<1.2:1)
 Power, as combiner: 100mW max. average per port
 Environment: -50° to +70°C, IP64 (IP67 to order)
 Finish: Connectors: N(f) or SMA(f), triplate
 Housing: Passivated aluminum

Model	Frequency Range MHz	No. of Ways	Split Loss dB nom	Isolation dB min	Dissipative Loss, dB max.	Output Balance Amplitude typ.	Phase typ.	VSWR [‡] Input max	Output max	Weight nom. oz (g)
D2-49FF D2-49FN	350 - 5000 5000 - 5850	2	3	>20 >16	<0.9	0.2 dB	10°	1.40:1	1.30:1 1.40:1	16 (455)
D4-49FF D4-49FN	500 - 5000 350 - 5850	4	6	>20 [†] >14	<1.0 <1.5	0.5 dB	-	1.40:1	1.30:1 1.40:1	28 (800)

*SMA model in development †>18dB isolation on D4-49FF ‡VSWR: <1.45:1 (in) / <1.40:1 (out) on D4-49FF



Note: Specifications are subject to change without prior notification.

04AUG2015