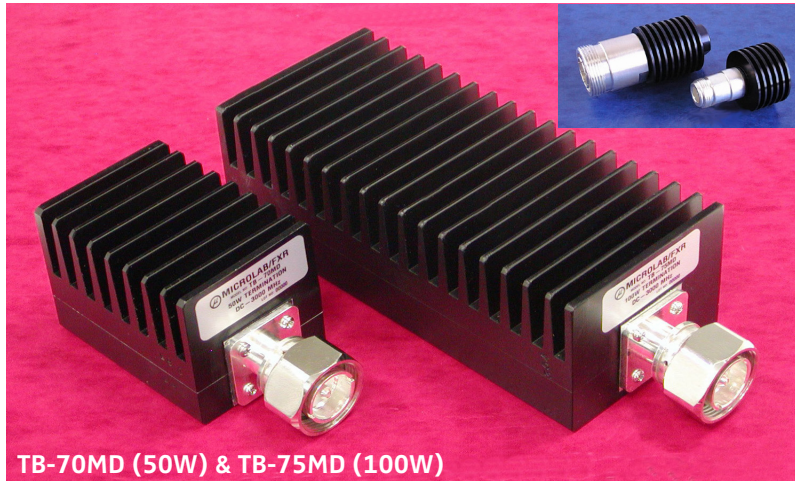


\$ Saver Product

- ◆ Resistive Film Loads
- ◆ Finned Termination
- ◆ Powers 10W to 250W
- ◆ VSWR to 1.15:1
- ◆ High Peak Power
- ◆ RoHS compliant
- ◆ Indoor and Outdoor models
- ◆ Designed for wireless applications



TB-70MD (50W) & TB-75MD (100W)

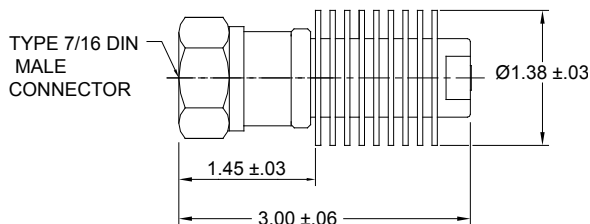
Microlab TB series terminations are medium power coaxial loads, which operate from DC to up to 5.5 GHz. Higher powers have cooling fins help to minimize temperature rise of the resistive film terminating element, contained within a carefully matched coaxial housing. Units are for indoor applications except TB-10MNP and TB-10MDP which are outdoor.

Standard connectors are N and 7-16 mm DIN, male or female. Call for higher powers, VSWR requirements, different connectors or other special specifications. (11/14)

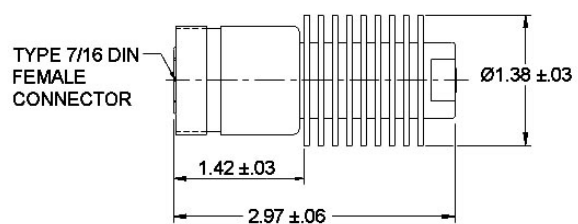
Part No./Connector N-type	7-16 mm	Connector Gender	Band GHz	Max. Power Avg	Max. Power Peak	Operating Range ² , °C	IP Rating	Max. VSWR at 2GHz	Max VSWR at max GHz	Weight ⁴ , N oz. (g) nom
TB-5FN	-	female	DC-5.5	10W	5kW	-10° to +50°	64	1.15:1	1.15:1	2.6 (73)
TB-5MN	-	male hex.								
TB-6FN	TB-5FD	female	DC-2.5 ¹	20W	5kW	-10° to +50°	64	1.15:1 ³	1.15:1	6.5 (182)
TB-6MN	TB-5MD	male hex.								
TB-10MN	TB-10MD	male knurled	DC-3.0	25W	5kW	-40° to +85°	64	1.20:1	1.20:1	7.0 (198)
TB-10MNP	TB-10MDP	male knurled	DC-4.0	25W	1kW	-45° to +85°	67	1.15:1	1.25:1	7.0 (198)

¹ DC-6 GHz to special order ² Derate -1.5%/°C above 50°C ³ VSWR to <1.05:1 to special order ⁴ Add 2.5 oz, 70 g for 7-16

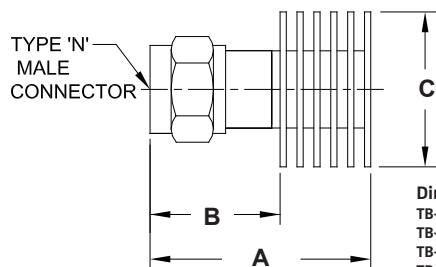
TB-5MD (20W)



TB-5FD (20W)

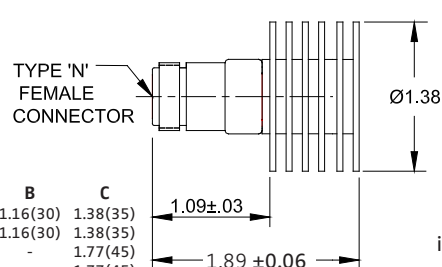


TB-5MN/6MN/10MN[MD] (10W/20W/25W)



Dimensions in (mm)	A	B	C
TB-5MN (10W)	1.96(50)	1.16(30)	1.38(35)
TB-6MN (20W)	3.00(76)	1.16(30)	1.38(35)
TB-10MN[P] (25W)	3.54(90)	-	1.77(45)
TB-10MD[P] (25W)	3.70(94)	-	1.77(45)

TB-5FN (10W)

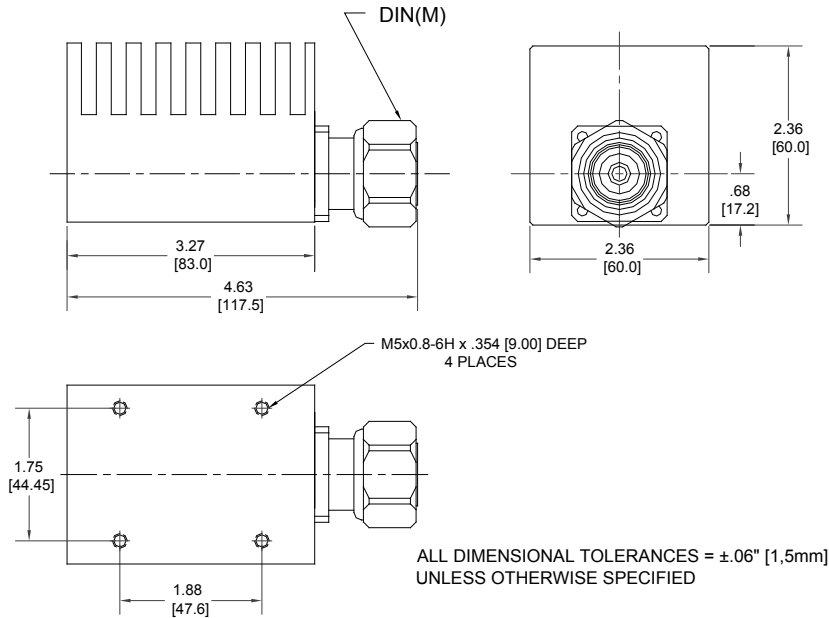


TB-6FN (20W) is 3" (76 mm) in length

Part No./Connector N-type	7-16 mm	Connector Gender	Band GHz	Max. Power Avg*	Peak	Operating Range ¹ , °C	Max. VSWR at 2 GHz	max GHz	Weight ² , N oz. (g) nom
TB-70MN	TB-70MD	male	DC-4.0	50W	10kW	-10° to +50°	1.15:1	1.25:1	21.3 (595)
TB-75MN	TB-75MD	male	DC-4.0	100W	10kW	-10° to +50°	1.15:1	1.25:1	63.2 (1770)
TB-80MN	TB-80MD	male	DC-4.0	150W	10kW	-10° to +50°	1.20:1	1.30:1	63.2 (1770)
TB-90MN	TB-90MD	male	DC-4.0	250W	10kW	-10° to +50°	1.20:1	1.35:1	94.5 (2645)

¹ Derate power by -1.5%/°C above 50°C ² Add 2.5 oz, 70 g for 7-16 DIN

TB-70MD (50W)



TB-75MN (100W)

