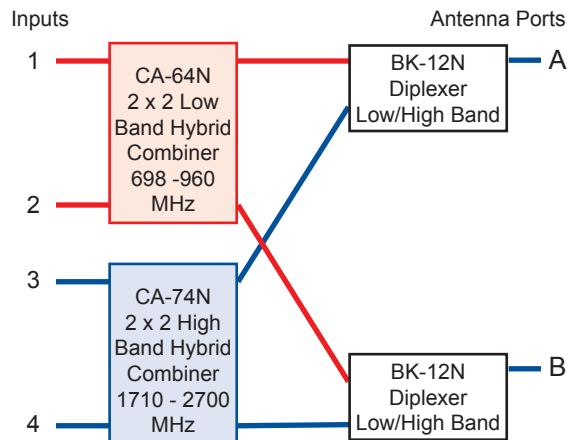


DCC Series® - Preliminary Data

- ◆ Input bands for GSM, UMTS & LTE-2600: 698 to 960 and 1710 to 2700 MHz
- ◆ 4 Inputs to 2 Combined Outputs
- ◆ Guaranteed PIM, and Low Loss
- ◆ High Reliability, RoHS
- ◆ Standard 1RU EIA Rack (1³/₄"



These broadband RF Combiner Boxes have been designed to meet the neutral host needs of smaller in-building systems, with low passive intermodulation (PIM). The system combines up to 2 wireless carriers in two operating bands to 2 multiple antenna feeds or distribution cables. Through the use of hybrids and diplexers, the total loss for each path is less than 1 dB, provided both outputs are utilized. Input connectors on KM-96D are 7-16 and on KM-96N are N type. Typical isolation between inputs in the same band is 25 dB, between bands 55 dB. (08/12)



Inputs 1 & 2:	698 - 960 MHz
Inputs 3 & 4:	1710 - 2700 MHz
Input Isolation:	Within Band: >22 dB Between Bands: >55 dB
Input Return Loss:	>19 dB (>23 dB typical)
Outputs A and B:	698 - 2700 MHz
Output Return Loss:	>15.5 dB
Coupling (In-Out):	3.5 ± 0.5 dB (all paths)
Power per input:	<100W avg., 3 kW peak
Total power in:	<200W average
Impedance:	50Ω nominal
Environment:	-15°C to +65°C, Indoor
PIM (Intermod):	<-142 dBc (+43dBm x2)
Finish: Housing:	RoHS coated aluminum
Connectors:	Triplate, N or 7-16 input, N output
Weight:	22 lbs (10 kg) nominal

Outline of Similar Unit

