



DAS Carrier Conditioner, KM-90

8 x 4 Passive Combiner for Neutral Host DAS
698 - 2,700 MHz
Rev. F

DCC Series™

- ◆ Input bands for Cellular & LTE: 700/800/900 & 1800/1900/UMTS to 2700 MHz
- ◆ 8 Inputs to 4 Combined Outputs
- ◆ Lossless Concept, Guaranteed PIM
- ◆ High Reliability, RoHS
- ◆ Standard 3RU EIA Rack (5.25")

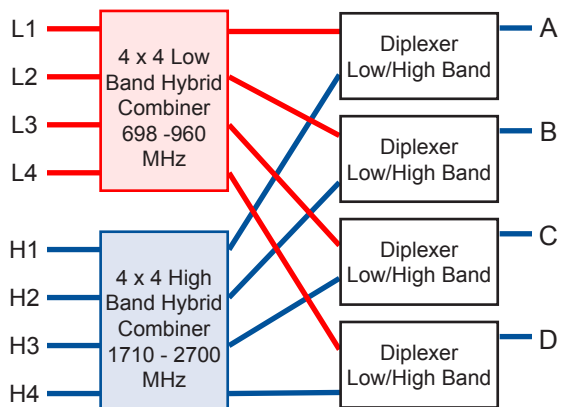


These broadband RF Combiners have been designed to meet the neutral host needs of in-building systems, with low passive intermodulation (PIM). The system combines up to 8 wireless carriers in the operating bands to 4 multiple antenna feeds or distribution cables. One quarter of each input appears on each of the four outputs, with a dissipated path loss of less than 0.5 dB. (10/15)

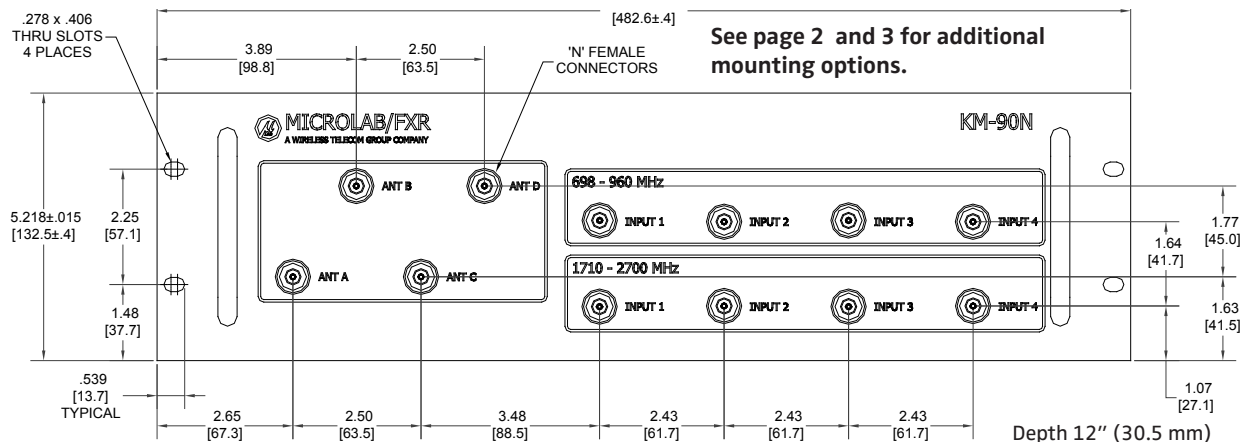
| Model | Type | Connectors | PIM* |
|----------|---------|--------------------------------|-----------|
| KM-90C | Indoor | 4.1-9.5 DIN (f) | <-153 dBc |
| KM-90D | Indoor | 7-16 DIN (f) | <-153 dBc |
| KM-90N | Indoor | N-type (f) | <-153 dBc |
| KM-90DNW | Outdoor | 7-16 Input (f) N Output (f) | <-153 dBc |

* Guaranteed PIM (Intermod) tested using 2 tones at +43 dBm

Inputs Antenna Ports

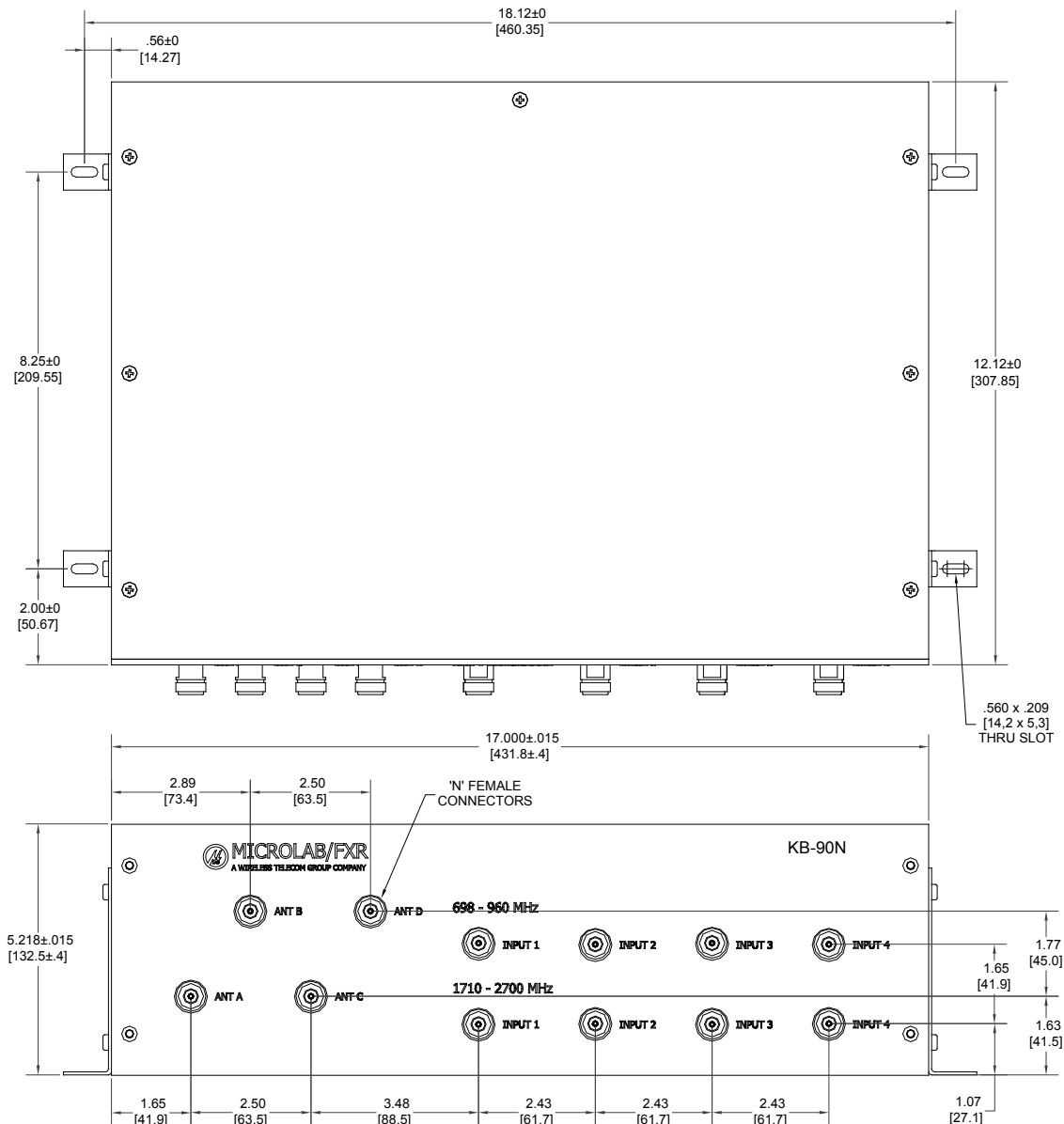


Inputs L1 to L4: 698 - 960 MHz, Low Band
 Inputs H1 to H4: 1710 - 2700 MHz, High Band
 Input Isolation, dB: Within Low Band: 24 typ., 22 dB min.
 Within High Band: 22 typ., 20 dB min.
 Between Bands: >55 dB
 Input Return Loss: >19 dB (>21 dB typical)
 Coupling (In-Out): 6.5±0.8dB (±0.9>2500 MHz), all paths
 Output Return Loss: >15.6dB
 Power per input: 100W avg. max, 3 kW pk,
 Time Delay (In-Out): 4-6 ns
 Impedance: 50Ω nominal
 Environment: -15°C to +65°C, Indoor
 Finish: Housing: 3RU RoHS aluminum
 Connectors: Triplate
 Weight: 22 lbs (10 kg) nominal

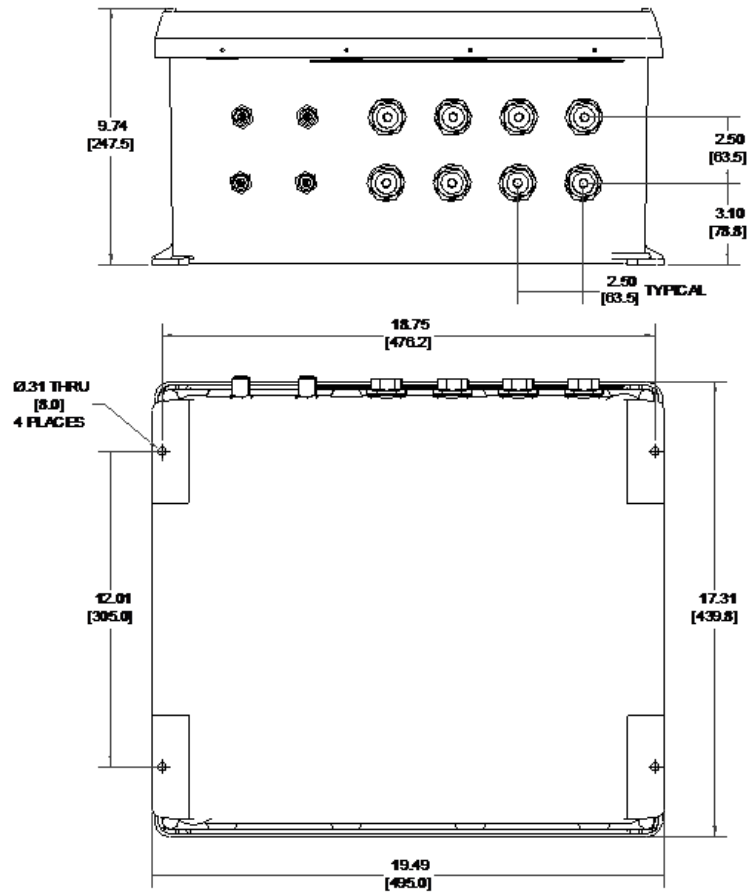


See page 2 and 3 for additional mounting options.

Wall mount version KB-90N



Wall mount weatherized outdoor version KM-90DNW



Dimension in inches(mm)