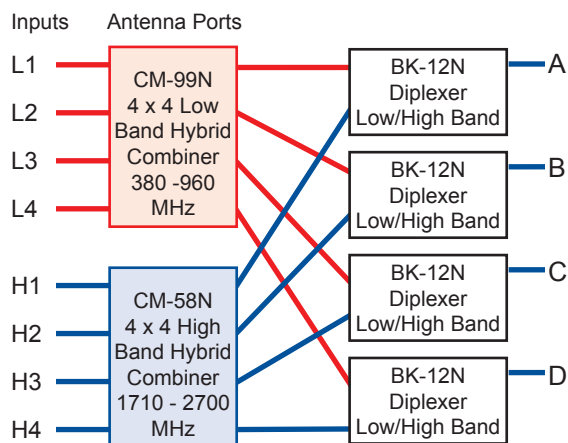


DCC Series® - Preliminary Data

- ◆ Input bands for TETRA, Cellular, UMTS & LTE: 4 x 380-960 and 4 x 1710-2700 MHz
- ◆ 8 Inputs to 4 Combined Outputs
- ◆ Lossless Concept, Guaranteed PIM
- ◆ High Reliability, RoHS
- ◆ Standard 3RU EIA Rack (5.25")



These broadband RF Combiners have been designed to meet the neutral host needs of in-building systems, with low passive intermodulation (PIM). The system combines up to 8 wireless carriers in the operating bands to 4 multiple antenna feeds or distribution cables. One quarter of each input appears on each of the four outputs, with a dissipated path loss of less than 0.5 dB. Standard unit, KM-80N, has N female connectors but is also available in 7-16 mm DIN as KM-80D. Different upper and lower bands and a combination of different connectors are available to order. (08/12)



Inputs L1 to L4: 380 - 960 MHz, Low Band
 Inputs H1 to H4: 1710 - 2700 MHz, High Band
 Input Isolation, dB: Within Low Band: 24 typ., 22 dB min.
 Within High Band: 22 typ., 20 dB min.
 Between Bands: >55 dB
 Input Return Loss: >19 dB (>21 dB typical)
 Coupling (In-Out): 6.5 ± 0.8 dB (all paths)
 Output Return Loss: >15.6dB high band; >17.7dB low band
 Power per input: <60W avg, 3 kW pk, total: <200W avg.
 Impedance: 50Ω nominal
 Environment: -15°C to +65°C, Indoor
 PIM (Intermod): <-142 dBc (+43dBm x2)
 Finish: Housing: RoHS coated aluminum
 Connectors: Triplate, N (**KM-80N**) or 7-16 (**KM-80D**)
 Weight: 22 lbs (10 kg) nominal

