

### \$ Saver Product

- ◆ 694 - 2,700 MHz
- ◆ 5 & 10 W Power Rating
- ◆ Low RF Insertion Loss
- ◆ 20 dB Isolation
- ◆ RoHS compliant
- ◆ Low Cost Design
- ◆ Opposed Connectors

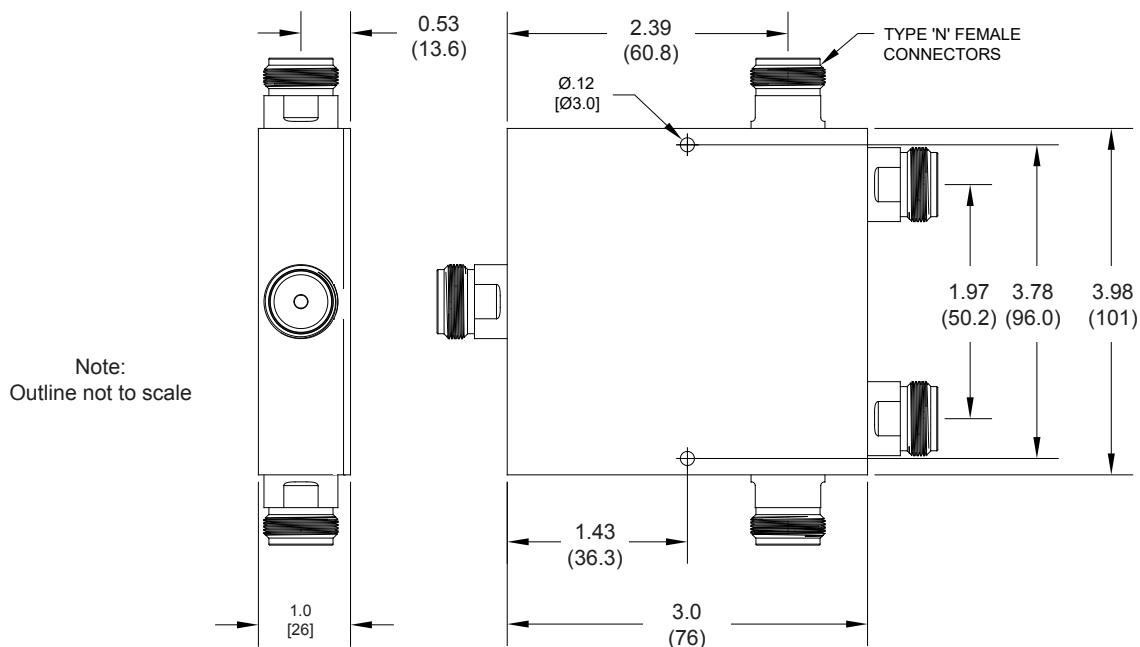


This series of 2, 3 & 4 way Wilkinson style Power Dividers has been designed for low power applications where outputs need to be on opposed sides of the housing. This feature makes connections easier, especially when combined with the wide frequency range for multiband antennas and leaky cable systems. Similar models are available with SMA to order.

Frequency Range: 694 - 2,700 MHz  
 Impedance: 50Ω nominal  
 Temperature: -30 to +60°C  
 Applications: Indoor, 5 - 95%RH  
 Finish: Connectors: N(f), tri-plate  
 Housing: Passivated aluminum

| Model Number | No. of Ways | Isolation dB min | Split Loss dB nom | Dissipative Loss, dB max | Amplitude Balance typ. | Input VSWR max | Output VSWR max | Forward Power* avg. | Weight nom. oz (g) |
|--------------|-------------|------------------|-------------------|--------------------------|------------------------|----------------|-----------------|---------------------|--------------------|
| D2-78FN      | 2           | 20               | 3                 | 0.5                      | ± 0.3 dB               | 1.30:1         | 1.30:1          | 10W                 | 7.4 (210)          |
| D3-78FN      | 3           | 20               | 4.8               | 0.6                      | ± 0.4 dB               | 1.30:1         | 1.30:1          | 5W                  | 12.3 (350)         |
| D4-78FN      | 4           | 20               | 6                 | 0.7                      | ± 0.4 dB               | 1.30:1         | 1.30:1          | 10W                 | 17.0 (480)         |

\*Used as divider, with Load VSWR <1.2:1

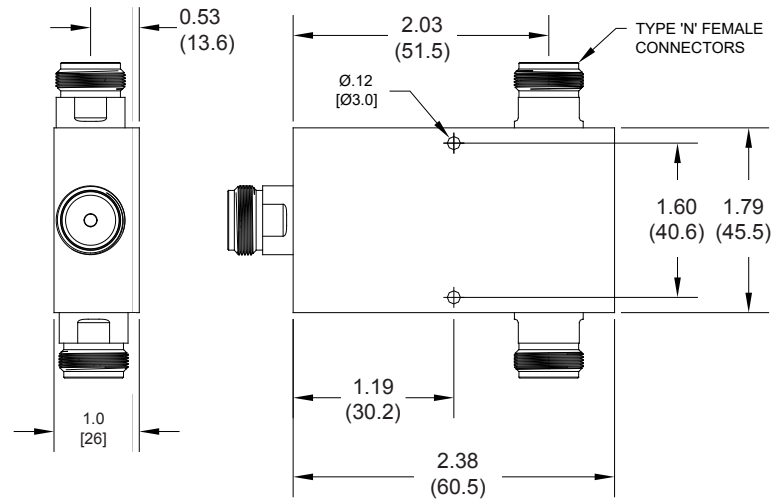


Note: Specifications are subject to change without prior notification.

03JUN2016

**D2-78FN**

Note:  
Outline not to scale


**D3-78FN**

Note:  
Outline not to scale

