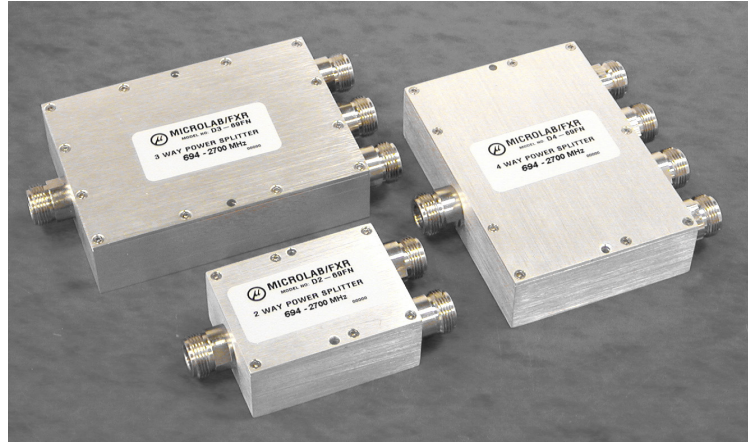


\$ Saver Product

- ◆ 694 - 2,700 MHz Multi-Band Frequency Range
- ◆ 50 W Power Rating
- ◆ Low RF Insertion Loss
- ◆ 20 dB Isolation
- ◆ RoHS compliant
- ◆ Low Cost N Design



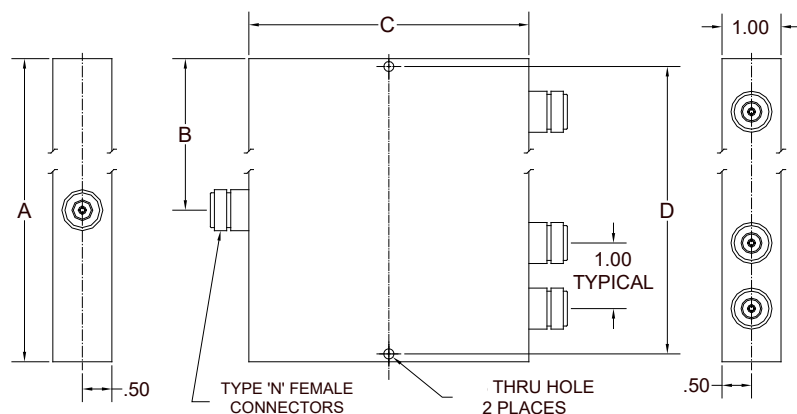
Microlab Model Dx-75FN series of Wilkinson style Power Dividers has been designed for 50W power splitter applications where output isolation is preferable over lowest possible loss. The wide frequency range of this design allows use with multiband antennas and leaky cable systems.

Lower loss dividers which enhance receive sensitivity and preserve transmitted power are available in the reactive splitters such as Dx-95FD and Dx-85FD series.

Bandwidth:	694 - 2,700 MHz
Impedance:	50Ω nominal
Environment:	-30 to +60°C, Indoor
Housing:	Passivated Aluminum
Connectors:	N (f) triplate

Model Number	No. of Ways	Split Loss	Output Isolation	Insertion Loss, max.	Amplitude Ripple	VSWR All Ports	Power Rating*
D2-75FN	2	3 dB	>20 dB	0.6 dB	±0.3 dB	<1.25:1	50W avg.
D3-75FN	3	4.8 dB	>20 dB	0.8 dB	±0.4 dB	<1.30:1	50W avg.
D4-75FN	4	6 dB	>20 dB	0.9 dB	±0.4 dB	<1.30:1	50W avg.

Also available to order as 6 and 8 way models and with SMA connectors *Used as divider into load(s) with VSWR <1.2:1



Dimensions and Weight Inches (mm); Wt: oz (g) nom.

	D2-75FN	D3-75FN	D4-75FN
A	1.81 (46)	2.91 (74)	4.00 (101)
B	0.91 (23)	1.46 (37)	2.00 (51)
C	2.40 (61)	4.06 (103)	2.80 (71)
D	1.61 (41)	2.71 (69)	3.78 (96)
Ø	0.12 (3.0)	0.12 (3.0)	0.12 (3.0)
Wt.	6.6 (185)	14.8 (415)	15.2 (395)

Note: Specifications are subject to change without prior notification.

03JUN2016