

### Now with coverage to 5,850 MHz

- ◆ Split ratios from 1000:1 to 2:1
- ◆ Tetra, PMR, Cellular, UMTS, WiFi & WiMAX to 5,850 MHz
- ◆ Low Specified PIM
- ◆ 500 W Avg Power Rating
- ◆ Minimal RF Insertion Loss
- ◆ RoHS compliant
- ◆ High Reliability, IP67
- ◆ 7-16 mm DIN connectors

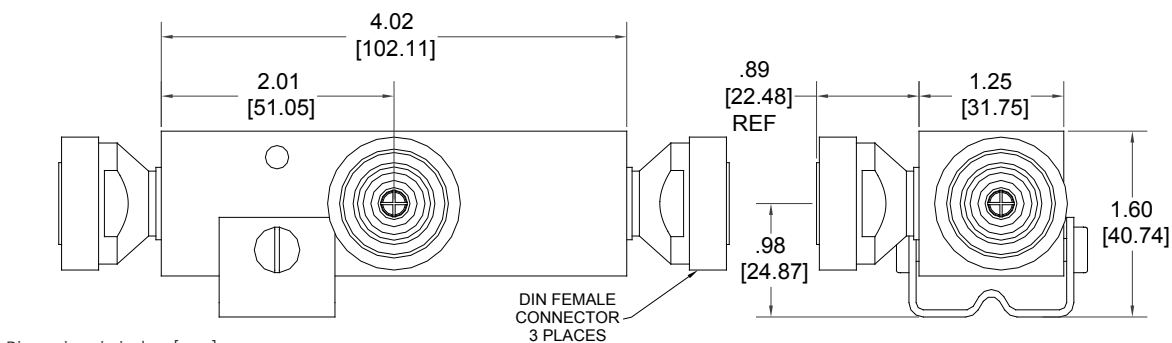


Microlab DN-x4FD series of Tappers unevenly split high power cellular signals in fixed ratios from 1000:1 to 2:1 with minimal reflections or loss over the key wireless bands in the range 350 - 5,850 MHz, (there is no coupling 1550 to 1650 MHz). The innovative asymmetric design ensures an excellent input VSWR and coupling flatness across the specified bands, even down to a 2:1 split.

The lightweight design allows easy attachment to a wall using the supplied bracket. Designed with only a few solder joints and an air dielectric, loss is minimized and reliability enhanced. See DN-x4FN, DN-x4FC, and DN-x4FE series for similar Tappers with N, 4.1-9.5, and 4.3-10 connectors.

Frequency Bands:	Bands specified below
Dissipative Loss:	<0.1 dB (main line)
Power Rating:	500W avg., 3 kW peak
Impedance:	50Ω nominal
Intermod. (PIM):	-161 dBc (2 tones at +43dBm)
Environment:	IP67, -35°C to +75°C
Connectors:	7-16(f) trimetal
Housing Finish:	Passivated Aluminum
Weight, nom:	14 oz (380 g)
Mounting:	Bracket supplied

Model Number	Ratio, nom. (dB Inequality between Outputs)	Output Split Main/Branch dB	Branch Flatness ref. to Input Level, incl Loss, dB							Input VSWR max.	
			350 - 380 MHz	380 - 520 MHz	698 - 960 MHz	1710 - 2700 MHz	3500 - 4500 MHz	4900 - 5850 MHz	700 - 2500 MHz	350 - 5850 MHz	
DN-34FD	2:1/3.0dB	-1.8/-4.8	+0/-1.3	+0.3/-1.0	± 0.3	± 0.3	+0/-1.5	± 0.4	1.3:1	1.4:1	
DN-44FD	3:1/4.8dB	-1.3/-6.1	+0/-1.3	+0.3/- 0.8	± 0.3	± 0.3	+0/-1.5	± 0.4	1.2:1	1.3:1	
DN-54FD	4:1/6.0dB	-1.0/-7.0	+0/-1.3	+0.3/-0.8	± 0.3	± 0.3	+0/-1.5	± 0.4	1.2:1	1.3:1	
DN-64FD	6:1/8.0dB	-0.7/-8.6	+0/-1.3	+0.3/-0.5	± 0.3	± 0.3	+0/-1.5	± 0.4	1.2:1	1.3:1	
DN-74FD	10:1/10dB	-0.4/-10.4	+0/-1.3	+0.3/-0.5	± 0.3	± 0.3	+0/-1.5	± 0.5	1.2:1	1.3:1	
DN-84FD	20:1/13dB	-0.2/-13.2	± 1.0	± 0.5	± 0.4	± 0.4	± 0.5	± 0.5	1.2:1	1.3:1	
DN-94FD	30:1/15dB	-0.1/-15.1	± 1.0	± 0.8	± 0.5	± 0.5	+0/-1.5	± 0.8	1.2:1	1.3:1	
DN-04FD	100:1/20dB	-0.1/-20.1	± 1.0	± 1.0	± 0.8	± 0.5	+2/-0	+4/-0	1.2:1	1.2:1	
DN-14FD	1000:1/30dB	-0.1/-30.1	± 1.0	± 1.5	± 0.8	± 0.5	+2/-1	+4/-0	1.2:1	1.2:1	



Dimensions in inches [mm]

Note: Specifications are subject to change without prior notification.

22OCT2015