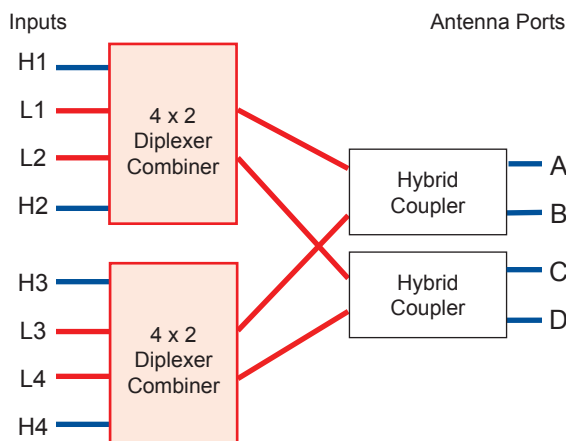


DCC Series®

- ◆ Input bands for Cellular & LTE: 700/800/900 & 1800/1900/UMTS to 2170 MHz
- ◆ 8 Inputs to 4 Combined Outputs
- ◆ Lossless Concept, Guaranteed PIM
- ◆ High Reliability, RoHS
- ◆ Standard 2RU EIA Rack (3.5")



These broadband RF Combiners have been designed to meet the neutral host needs of in-building systems, with low passive intermodulation (PIM). The system combines up to 8 wireless carriers in the operating bands to 4 multiple antenna feeds or distribution cables. One quarter of each input appears on all four outputs, with a dissipated path loss of less than 0.5 dB. Standard unit, DCC610DN, has DIN female input connectors but is also available in N as DCC610N. (10/13)



	Model Numbers/Connectors		
	DCC610N	DCC610D	DCC610DN
Inputs	N (f)	7-16 (f)	7-16 (f)
Outputs	N (f)	7-16 (f)	N (f)

Inputs L1 to L4:	698 - 960 MHz, Low Band
Inputs H1 to H4:	1710 - 2170 MHz, High Band
Input Isolation, dB:	Within Band: 25 dB min. Between Bands: >55 dB
Input Return Loss:	>17.7 dB (>21 dB typical)
Coupling (In-Out):	6.2±1.2dB, all paths
Output Return Loss:	>15.6dB
Power per input:	<50W avg, 3 kW pk, total: <200W avg.
Impedance:	50Ω nominal
Environment:	-15°C to +65°C, Indoor
PIM (Intermod):	<-150 dBc (+43dBm x2)
Finish: Housing:	RoHS coated aluminum
Connectors:	Triplate, N
Weight:	15 lbs (7 kg) nominal