



DCC520 HPOI

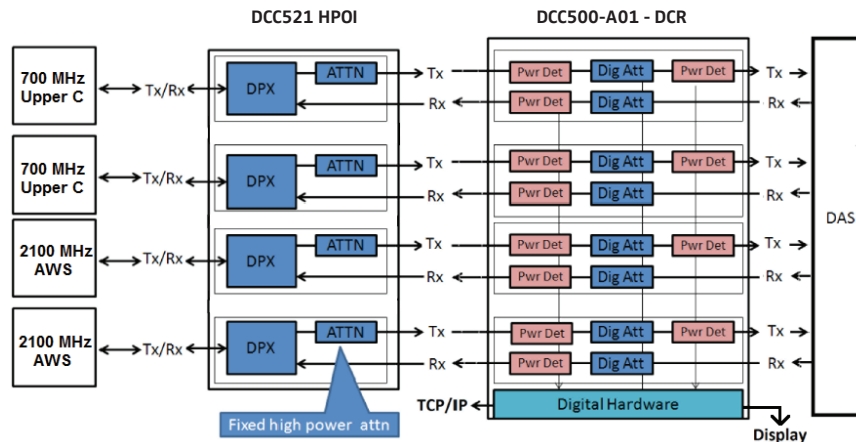
DCR Broadband Base Unit

Microlab DCC520 Series is a multi-band High Power Point of Interface (HPOI) Module. It operates over the 700 MHz Upper C LTE and 2100 MHz AWS bands. The HPOI is used with the DAS Control Rack (DCR) to monitor and control power levels in the DAS head end. The HPOI separates the duplexed signals from the base station and attenuates the high powered signal to a level acceptable to the DCR.

Microlab DCC Series® products are built on a common platform that provides a high level of customization for your particular application. The HPOI Trays are available in different input power ranges to accommodate different BTS transmit powers. Connector types and locations make it convenient for installation. Microlab has developed a wide variety of standard HPOIs, which can quickly be installed in conjunction with a standard DCR into the perfect custom monitor and/or attenuation system solution. Rack mid-mount kit and flexible SMA cables to connect the HPOI to the DCR included.

HPOI MODELS* (Other Band and Band Combinations are available)					Common Specifications	
Power Input Tx	700 Upper C + 2100 MHz AWS	Insertion Loss Tx	EIA Rack Height	PIM Test Power Levels	Frequency Band 700 MHz LTE Upper C Band (2 ports)	Tx: 746-757 MHz Rx: 776-787 MHz
60 W	DCC520-A48[C/D/E] [B/F]	3.1 dB	2 RU	2 x 43 dBm	2100 MHz AWS Band (2 ports)	Tx: 2110-2155 MHz Rx: 1710-1755 MHz
5 W	DCC520-A37[C/D/E] [B/F]	2.1 dB	1 RU	2 x 34 dBm	Rx Insertion Loss	2 dB
0.5 W	DCC520-A27[C/D/E] [B/F]	1.1 dB	1 RU	2 x 24 dBm	Tx Isolation (Tx/RX)	>60 dB
*Add BTS connector designator to end of model #: C for 4.1-9.5 DIN, D for 7-16 DIN, E for 4.3-10 Location of BTS connector is designated by B for back or F for front panel						
DCR Models	Description					
DCC500-A01	4 channel low power Active DAS tray with power monitoring and attenuation control, 110-250 VAC power supply.					
DCC500-B01	4 channel low power Active DAS tray with power monitoring and attenuation control, -48/+24 VDC power supply					
DCC550-A01	12 channel power monitoring only DAS Tray					
DCC560-A01	4 channel attenuation control only DAS Tray					
					PIM (Intermod) 2 x +43 dBm tones: 2 x +34 dBm tones:	<-154 dBc, -156 dBc typ <-145 dBc, -147 dBc typ
					Impedance	50 Ω nominal
					Connector Type Input: Output:	4.1-9.5, 7-16 or 4.3-10 SMA
					Environment	0-50 °C / 32-131°F
					Size	19" W x 17" D

Application of DCC520 in DAS:



Note: Specifications are subject to change without prior notification.

21Jan2016