

- ◆ Connects 4 inputs (same side) to 4 outputs (opposite side) for neutral hosting of DAS
- ◆ 18 dB Isolation, Low VSWR
- ◆ Wideband, Low Specified PIM
- ◆ 200W/input avg Power Rating
- ◆ AISG DC Feed Through/By Pass
- ◆ RoHS Compliant

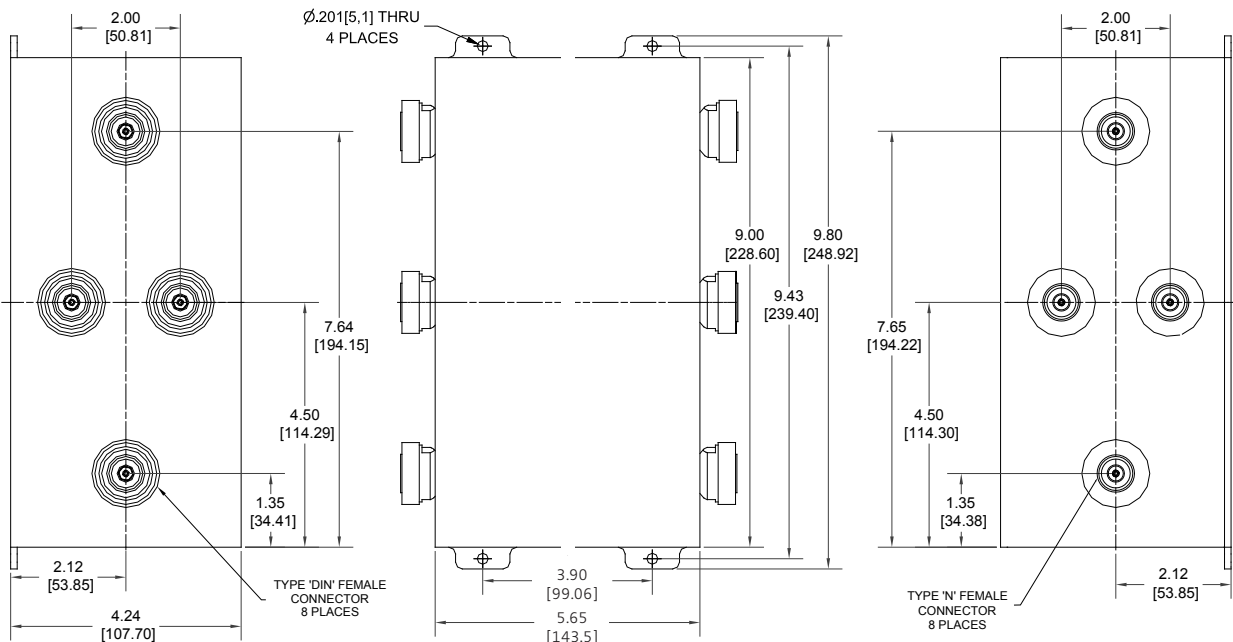


Model Number/Conn.	Frequency Range, MHz	Coupling incl. Insertion Loss,	Power Rating per Input Average	Power Rating per Input Peak	Input & Output Isolation, dB	Input VSWR	
CM-86N CM-86D	7-16 mm	698 - 2,700	6.2 ± 1.3	200W	1.5kW	>18	<1.30:1

The 4x4 Hybrid is a matrix of four 3 dB Hybrid Couplers arranged so that signals applied to any of the four inputs will be split equally between the four outputs. This allows simple combining of multiple signals in the same wireless band to a common feeder cable, as might be required in a neutral host in-building distributed antenna system. Unused ports must be terminated externally in 50Ω. To minimize adding passive intermodulation (PIM) all such output terminations must be low PIM, such as the TK-27MN..

Mechanically, all inputs are on one side of the box and the outputs on the opposite face, for simple connection into the DAS distribution system.

Impedance: 50Ω nominal
 Temperature: -35°C to +65°C
 Environment: IP65
 PIM, Intermod: <-153 dBc guaranteed
 -160 dBc typical
 (with 2 x +43dBm tones)
 Finish:
 Enclosure: Anodized aluminum
 Connectors: Triplate
 Weight, nom: 7.4 lb; 3.4 kg



Note: Specifications are subject to change without prior notification.

17SEP2015