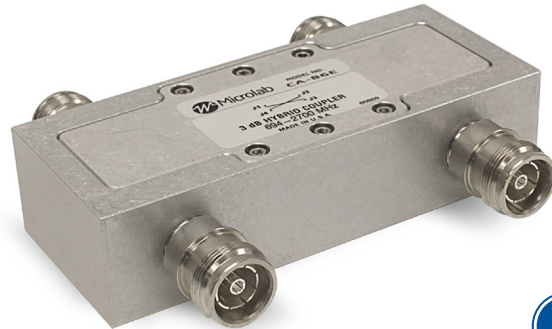


- ◆ Guaranteed PIM performance
- ◆ **Models for Outdoor Environment**
- ◆ 250W/Input Continuous Avg. Power
- ◆ High Isolation, Low VSWR and loss
- ◆ Multi Band Range for Cellular, PCS UMTS and LTE
- ◆ High Reliability, Moisture sealed
- ◆ Convenient connector spacing and easy mounting to pole or wall

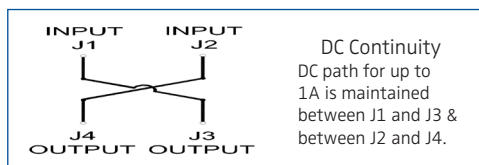
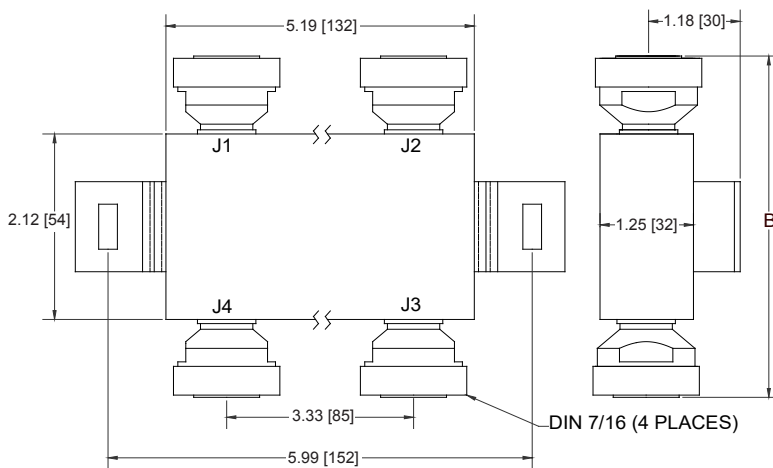


Model CA-86E



This Hybrid Coupler has been designed to meet the special needs of the higher power needs of the wireless market. The most common use is to combine two wireless carriers in the band to a single antenna feed or distribution cable. This requires the termination of one output port in 50Ω and results in a 3 dB loss in each signal. Note that the termination used must have a return loss of at least 25 dB and PIM below -161 dBc for the isolation and PIM performance to be maintained. A high power low PIM cable load appropriate to the power dissipation, is recommended to maintain this performance. See Microlab model series TK-27.

Connectors, spaced to allow controlled wrench tightening, are available with alternate genders. Add suffix P to Model No. (e.g. CA-86NP) for outdoor environments.



Model Number	Connector	Isolation min/typ
CA-86D	7-16(f)	23/25
CA-86C	†4.1-9.5(f)	23/25
CA-86E	4.3-10(f)	23/25
CA-86N	N(f)	20/23

† Mini-DIN Connectors  
Add 'P' to Model Number for Outdoor

Frequency:	694 - 2700 MHz
Coupling:	3 dB nominal
Sensitivity:	±0.6 dB
Dissipative Loss:	0.3 dB max.
VSWR:	<1.20:1
PIM (Intermod):	-161 dBc (2 tone test at +43dBm)
Power Rating:	250W max/input 1.5kW peak
Impedance:	50Ω nominal
Environment:	-35 to +65°C
Housing Finish:	
Indoor/IP64:	Standard model Passivated Al.
Outdoor/IP67:	Add P to Model No. & Painted RoHS compliant
Connectors:	Triplate

### Dimensions & Weight Inches (mm)/oz (g)

	Length	B	Weight
CA-86D	3.89	[99]	28 [785]
CA-86C	3.94	[100]	28 [785]
CA-86E	4.04	[103]	25 [716]
CA-86N	3.64	[93]	24 [675]

Dimensions in inches [mm]

Note: Specifications are subject to change without prior notification.

19APR2016