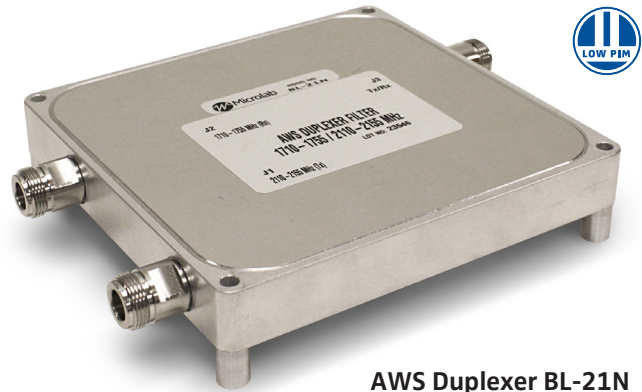


- ◆ Combines or Splits Tx and Rx Signals for US AWS Systems
- ◆ Guaranteed Low PIM
- ◆ High Isolation
- ◆ Low Insertion Loss
- ◆ Up to 60W power
- ◆ Models for Outdoor, IP67
- ◆ RoHS Compliant, High reliability



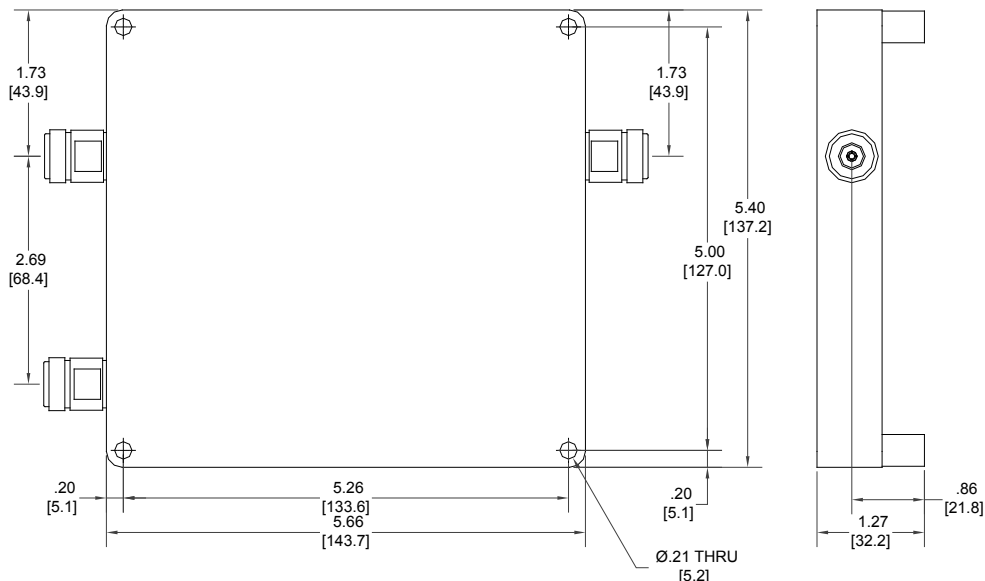
AWS Duplexer BL-21N

	Model/Connector		
	N (f)	7-16 (f)	4.3-10
Indoor Model:	BL-21N	BL-21D	BL-21E
Outdoor Model:	BL-21NP	BL-21DP	BL-21DP

Microlab Duplexer, BL-21 series allows combination and separation of the Tx and Rx signals the AWS band used in North America.

Units use a suspended substrate design to provide high isolation, low PIM and low insertion loss. Attention to mechanical design, ensures low loss, and high reliability.

Tx Passband:	2110-2155 MHz (Tx Port)
Rx Passband:	1710-1755 MHz (Rx Port)
Bandwidth, Tx and Rx:	45 MHz
Insertion Loss:	1.0 dB max
Passband Ripple:	0.6 dB max
Input Isolation:	>50dB (between Tx/Rx bands)
Return Loss, all ports:	18 dB min.
DC Continuity:	Between All Ports
PIM (Intermod):	-161 dBc (measured in Rx Block using two +43 dBm tones in Tx Block)
Power Rating:	60W avg./input
Impedance:	50Ω nominal
Environment:	-30°C to +80°C, IP67
Finish: Connectors:	Triplated
Housing Finish:	Passivated aluminum, (Painted model - Gray paint)
Weight, nom:	2.0 lb., 0.9 kg



Note: Specifications are subject to change without prior notification.

16NOV2015