

\$ Saver Product Line

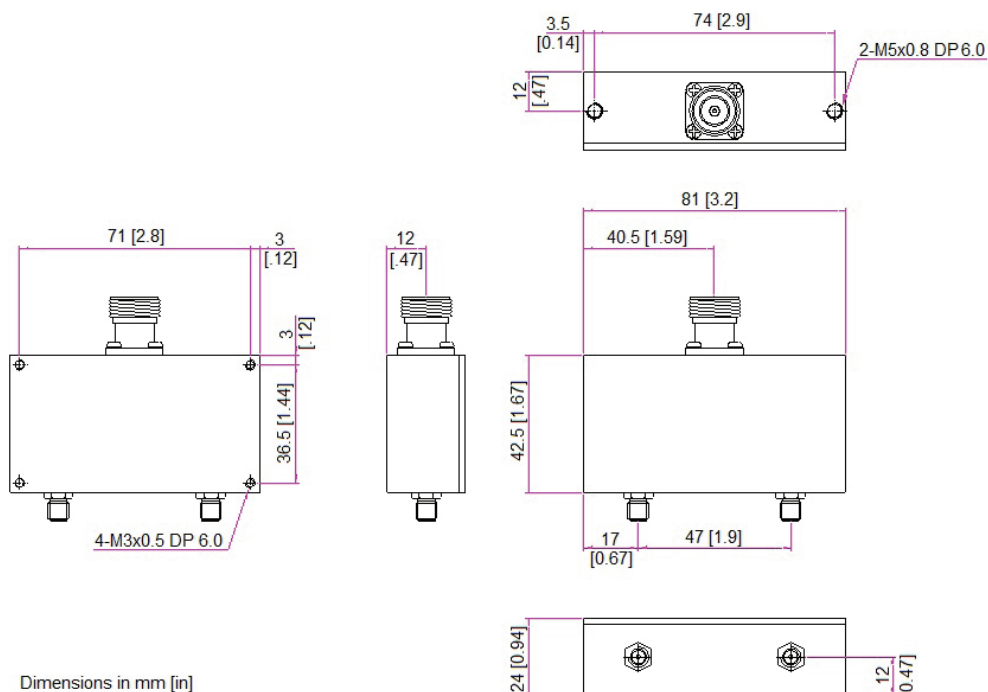
- ◆ Combines or Splits Tx and Rx Signals for 700 MHz Systems Upper Block C
- ◆ High Isolation
- ◆ Low Insertion Loss
- ◆ 5 Watt Average Power
- ◆ High reliability
- ◆ RoHS Compliant
- ◆ N Type and SMA connectors



Microlab ceramic design cavity duplexer Model BL-01NF allows combination and separation of the Tx and Rx signals in a duplex 700 MHz Upper Block C signal. Units provide high isolation, and low insertion loss in a compact design.

Attention to mechanical design, ensures low loss, and high reliability. Other models available for different bands and powers.

Rx Passband:	776 - 787 MHz (Rx Port)
Tx Passband:	746 - 757 MHz (Tx Port)
Insertion Loss:	2.0 dB max.
Passband Ripple:	0.6 dB max.
Return Loss, all ports:	15 dB min.
Input Isolation:	>50dB (between Tx/Rx bands)
Power Rating:	5W avg./input
Impedance:	50Ω nominal
Environment:	-30°C to +85°C
Connectors:	N (f) Tx/Rx, Common Port SMA(f) Tx & Rx Ports
Weight, nom:	8.5 lb., 3.8 kg



05JUN2015