

### \$ Saver Product Line

- ◆ 50 W Average Power
- ◆ Integral Matching Structures
- ◆ High Reliability
- ◆ RoHS Compliant
- ◆ Economic Price
- ◆ N Connectors
- ◆ Delivery from stock



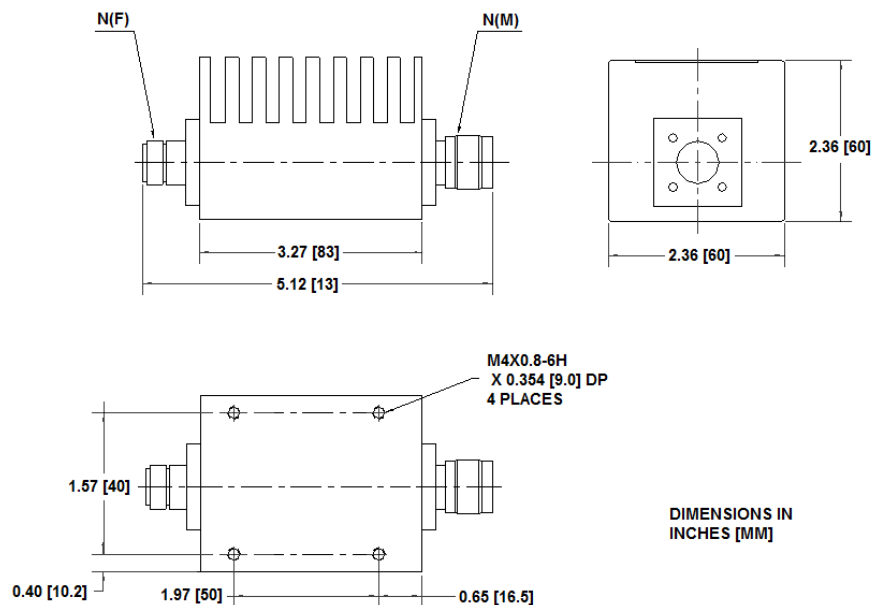
Model Number/Attenuation Value					Power	Attenuation Accuracy					VSWR	Weight
6dB	10dB	15dB	20dB	30dB	Avg. (Pk 5 $\mu$ s)	6dB	10dB	15dB	20dB	30dB	max.	lb (kg)
AR-R06N	AR-R10N	AR-R15N	AR-R20N*	AR-R30N*	50W (10kW)	$\pm 0.6$	$\pm 0.5$	$\pm 0.5$	$\pm 0.5$	$\pm 0.6$	<1.30:1	1.2 (.54)

\*Model rated at 25 W for reverse power. Other models are 50 W reverse power.

This AR-R series is an alternate for the cylindrical AR series Microlab coaxial attenuators for wireless applications covering DC to 3 GHz frequency range.

The attenuators are constructed of resistive elements in a conventional series circuit. Units are exceptionally rugged, and negligibly affected by normal ambient temperature and humidity changes. Other attenuation values are available to special order.

Frequency Range: DC to 3.0 GHz  
 Impedance: 50 $\Omega$  nominal  
 Temperature Range: -55° to +125°C\*  
 Finish/Materials: RoHS Compliant  
 Body: Passivated aluminum  
 Heat Sink: Anodized aluminum  
 Connectors: N (m-f) Nickel/Brass  
 Contacts: Gold plated BeCu  
 \*Derate power by -0.9%/°C above 25°C



Note: Specifications are subject to change without prior notification.

03MAY2016