

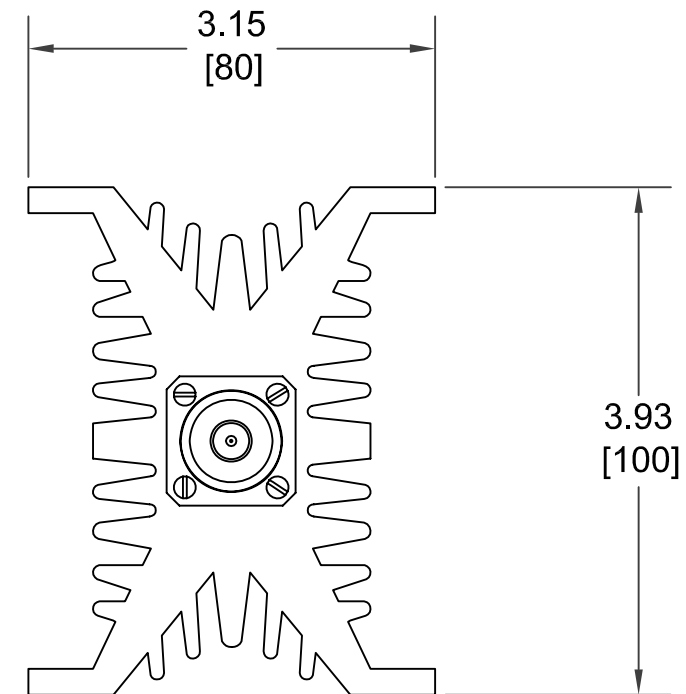
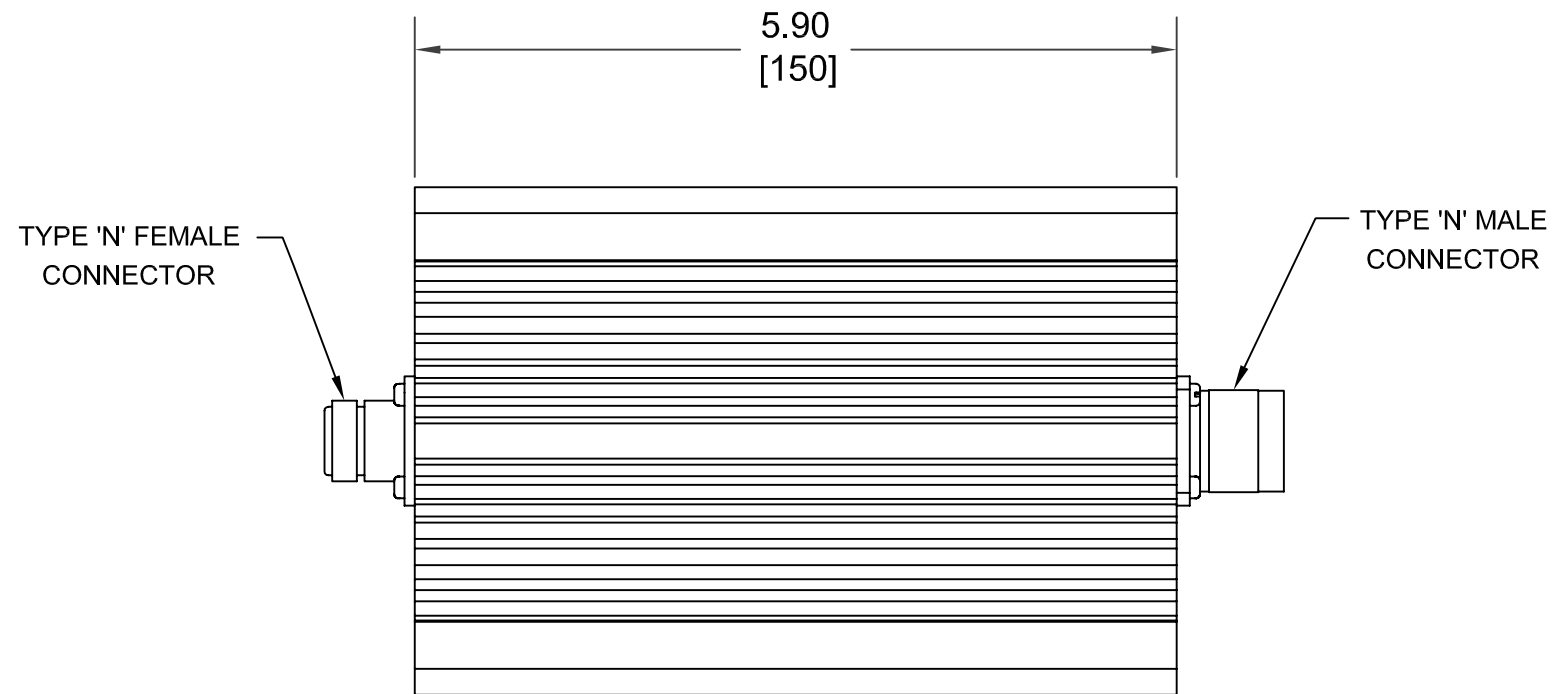
APPLICATION

NEXT ASSY	USED ON
	AT-B02

THE INFORMATION HEREIN IS THE PROPERTY OF MICROLAB/FXR AND SHALL NOT BE REPRODUCED, COPIED, OR USED AS A BASIS FOR THE MANUFACTURE OR SALE OF APPARATUS WITHOUT PERMISSION.

REVISION

LTR	DESCRIPTION	DATE	APPROVED
A	RELEASE TO PRODUCTION RLW	5/30/06	



SPECIFICATIONS

FREQ. RANGE.....DC - 3.0 GHz
 ATTENUATION.....30 dB ± 1 dB
 POWER.....150 WATTS CW
 INPUT VSWR.....1.3 : 1 MAX
 NOM. IMPEDANCE.....50 OHMS
 OPERATING TEMP.....-40 C TO +65 C
 WEIGHT.....1.70 kG

UNLESS OTHERWISE SPECIFIED DIMENSIONS ARE IN INCHES TOLERANCES ARE ON: DECIMALS .XX ±.01 .XXX±.005 SURFACE FINISH 63.	DRAWN RL WALKER	MICROLAB/FXR LIVINGSTON, NJ			
	CHECKED				
	E.E. APP'D	OUTLINE			
	M.E. APP'D				
MATERIAL	Q.A. APP'D	DATE 5/30/06	SIZE B	CODE IDENT NO. 00929	AT-B02
			SCALE NONE		SHEET PAGE 1 OF 1