

- ◆ Split ratios from 100:1 to 2:1
- ◆ Covers all Public Safety bands: VHF, UHF, TETRA, and 700-900 MHz bands
- ◆ Low Specified PIM
- ◆ 500 W Avg Power Rating
- ◆ Minimal RF Insertion Loss
- ◆ RoHS compliant
- ◆ High Reliability, IP67

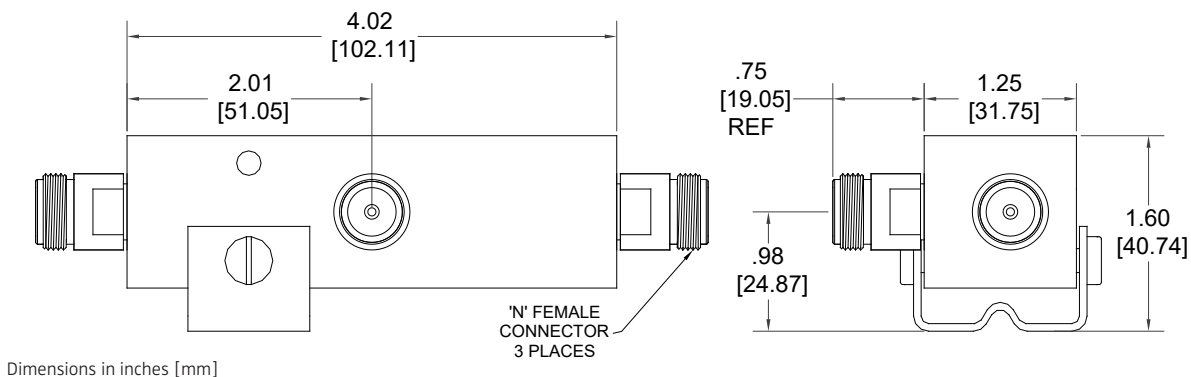


Microlab DN-x1FN series of Tappers unevenly split high power RF signals in fixed ratios from 100:1 to 2:1 with minimal reflections or loss. The Tappers cover VHF, UHF, TETRA, and 700 - 900 MHz Public Safety bands. The innovative asymmetric design ensures an excellent input VSWR and coupling flatness across the specified bands.

The lightweight design allows easy attachment to a wall using the supplied bracket. Designed with only a few solder joints and an air dielectric, loss is minimized and reliability enhanced. See DN-x4 series for similar Tappers with broader bandwidth and multiple connector options.

Frequency Bands:	Bands specified below
Dissipative Loss:	<0.1 dB (main line)
Power Rating:	500W avg., 3 kW peak
Impedance:	50Ω nominal
Intermod. (PIM):	-161 dBc (2 tones at +43 dBm)
Environment:	IP67, -35°C to +75°C
Connectors:	N(f) trimetal
Housing Finish:	Passivated Aluminum
Weight, nom:	14 oz (380 g)
Mounting:	Bracket supplied

Model Number	Ratio, nom. (dB Inequality between Outputs)	Output Split Main/Branch dB	Coupling to Branch arm, dB					Input VSWR Max	
			137-200 MHz	200-250 MHz	250-380 MHz	380-520 MHz	698-960 MHz	147-380 MHz	380-960 MHz
DN-31FN	2:1/3.0dB	-1.8/-4.8	-6.3±0.7	-5.8±0.6	-5.4±0.6	-5.1±0.6	-4.8±0.5	1.40:1	1.30:1
DN-51FN	4:1/6.0dB	-1.0/-7.0	-8.1±0.7	-7.6±0.6	-7.3±0.6	-7.0±0.6	-6.5±0.5	1.30:1	1.25:1
DN-71FN	10:1/10dB	-0.4/-10.4	-11.0±0.8	-10.7±0.7	-10.3±0.7	-10.1±0.7	-9.9±0.5	1.20:1	1.20:1
DN-91FN	30:1/15dB	-0.1/-15.1	-16.0±0.8	-15.6±0.8	-15.5±0.8	-15.2±0.8	-15.4±0.5	1.20:1	1.20:1
DN-01FN	100:1/20dB	-0.1/-20.1	-20.3±1.0	-20.1±1.0	-20.0±1.0	-20.1±1.0	-20.1±0.8	1.20:1	1.20:1



Note: Specifications are subject to change without prior notification.

19APR2016